

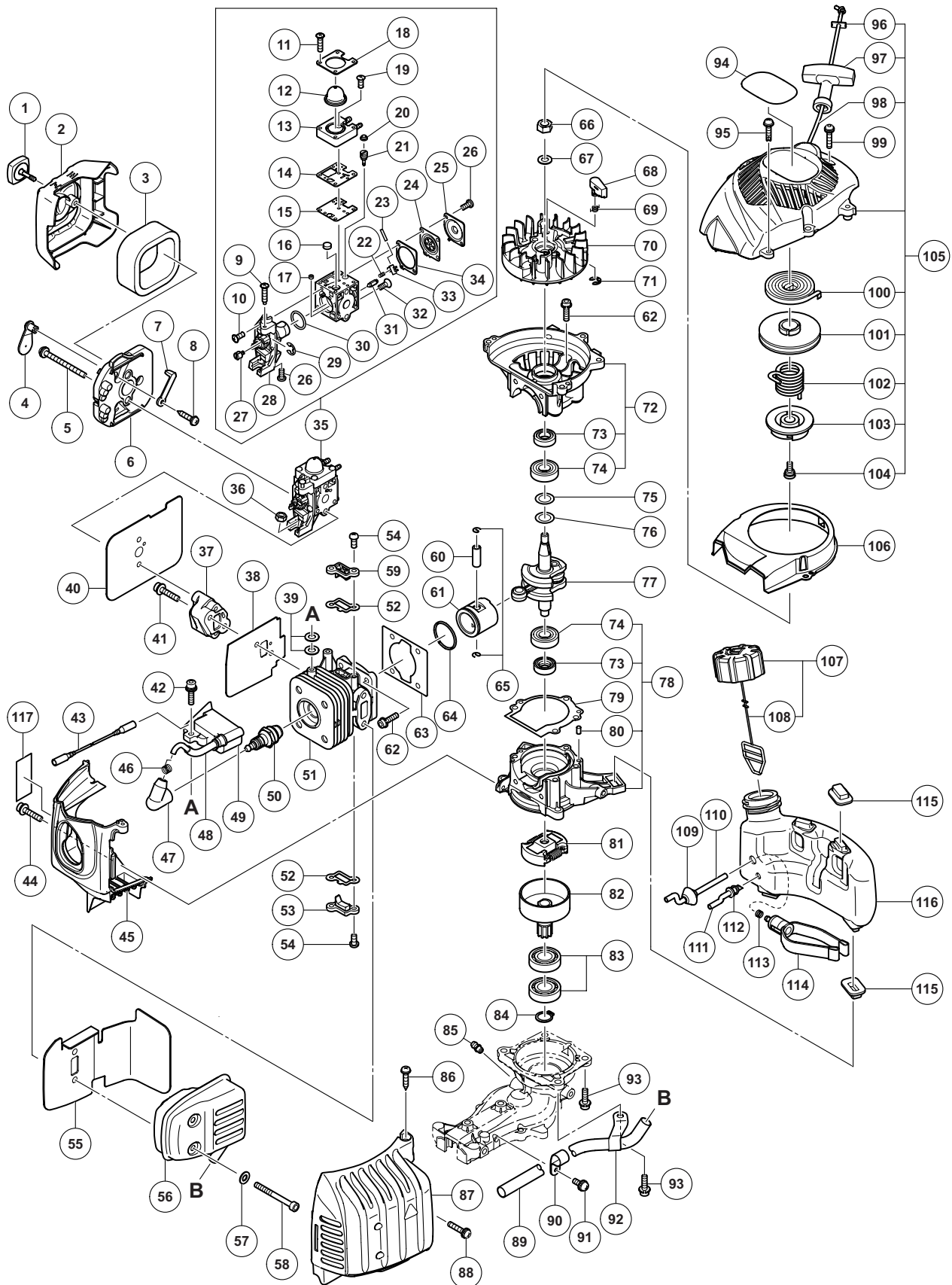
ENGINE TOOL PARTS LIST

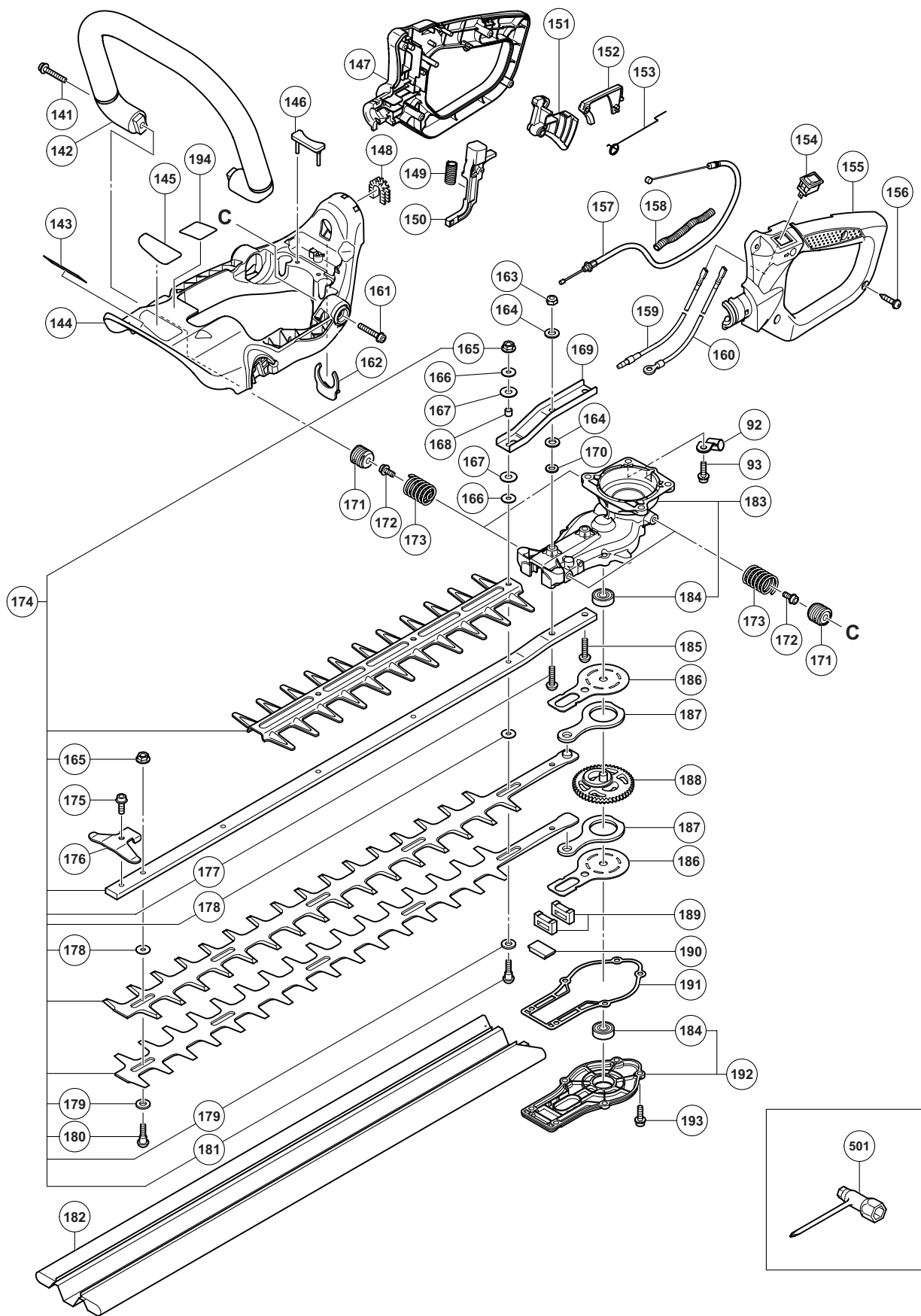
ENGINE HEDGE TRIMMER

2013-3-18

Model TCH 22ECP2 (TANAKA BRAND)

(E1)





PARTS

TCH 22ECP2

| ITEM NO. | CODE NO. | DESCRIPTION | NO. USED | REMARKS |
|----------|----------|---|----------|--------------|
| 1 | 669-8730 | COVER FIXING BOLT COMP. | 1 | |
| 2 | 669-8609 | CLEANER COVER | 1 | |
| 3 | 669-0365 | CLEANER SPONGE | 1 | |
| 4 | 669-8608 | CHOKE VALVE | 1 | |
| 5 | 307-224 | MACHINE SCREW (W/WASHERS) M5 X 60 (BLACK) | 2 | |
| 6 | 669-8606 | CLEANER BODY | 1 | |
| 7 | 669-8607 | CHOKE HANDLE | 1 | |
| 8 | 309-470 | TAPPING SCREW (W/FLANGE) D4 X 12 (BLACK) | 1 | |
| 9 | 669-9087 | THROTTLE ADJUST SCREW (TAS) | 1 | |
| 10 | 669-9088 | SET SCREW (B) | 3 | |
| 11 | 669-9100 | SET SCREW (D) | 4 | |
| 12 | 669-9098 | SYRINGE | 1 | |
| 13 | 669-9097 | PRIMER BASE | 1 | |
| 14 | 669-9096 | PUMP GASKET | 1 | |
| 15 | 669-9095 | PUMP DIAPHRAGM | 1 | |
| 16 | 669-9080 | STRAINER | 1 | |
| 17 | 669-9103 | GUIDE PIN ROLLER | 1 | |
| 18 | 669-9099 | SYRINGE RETAINER | 1 | |
| 19 | 669-9101 | SET SCREW (E) | 1 | |
| 20 | 669-9104 | BALL PLUG RETAINER | 1 | |
| 21 | 669-9105 | ADJUSTING SCREW (MAIN MIXTURE) | 1 | |
| 22 | 669-9083 | METERING LEVER SPRING | 1 | |
| 23 | 669-9082 | PIN | 1 | |
| 24 | 669-9091 | METERING DIAPHRAGM | 1 | |
| 25 | 669-9093 | METERING COVER | 1 | |
| 26 | 669-9094 | SET SCREW (C) | 3 | |
| 27 | 669-9089 | POST | 1 | |
| 28 | 669-9086 | ROTOR COVER | 1 | |
| 29 | 669-9090 | RETAINING RING (E-TYPE) FOR D2.5 SHAFT | 1 | |
| 30 | 669-9102 | O-RING | 1 | |
| 31 | 669-9081 | INLET NEEDLE VALVE | 1 | |
| 32 | 669-9085 | SET SCREW (A) | 1 | |
| 33 | 669-9084 | METERING LEVER | 1 | |
| 34 | 669-9092 | METERING GASKET | 1 | |
| 35 | 669-9078 | CARBURETOR ASS'Y | 1 | INCLUD. 9-34 |
| 36 | 949-567 | LOCK NUT M6 (10 PCS.) | 1 | |
| 37 | 669-8387 | CARBURETOR INSULATOR | 1 | |
| 38 | 669-8605 | INTAKE PACKING | 1 | |
| 39 | 669-8700 | GLASS WASHER | 4 | |
| 40 | 669-8816 | CARBURETOR PACKING | 1 | |
| 41 | 669-8844 | SEAL LOCK HEX. SOCKET BOLT (W/WASHERS) M5 | 2 | |
| 42 | 669-8388 | HEX. SOCKET HD. BOLT (W/WASHERS) M4 X 18 | 2 | |
| 43 | 669-9060 | CORD | 1 | |
| 44 | 669-8879 | SEAL LOCK HEX. SOCKET HD. BOLT M4 X 12 | 1 | |
| 45 | 669-8871 | CYLINDER COVER | 1 | |
| 46 | 669-9180 | METAL OF PLUG CAP (60) (B) | 1 | |
| 47 | 669-8548 | PLUG CAP | 1 | |
| 48 | 669-9175 | CORD INSULATION TUBE | 1 | |
| 49 | 669-8602 | IGNITION COIL | 1 | |
| * 50 | 668-4584 | SPARK PLUG BMR7A | 1 | |

PARTS

TCH 22ECP2

| ITEM NO. | CODE NO. | DESCRIPTION | NO. USED | REMARKS |
|----------|----------|---|----------|--------------------|
| * 50 | 668-5052 | SPARK PLUG CJ6 | 1 | FOR USA |
| 51 | 669-8597 | CYLINDER | 1 | |
| 52 | 669-6534 | COVER PACKING | 2 | |
| 53 | 669-6535 | INTAKE COVER (A) | 1 | |
| 54 | 669-6835 | SEAL LOCK SCREW M4 X 10 | 4 | |
| 55 | 669-8617 | HEAT PROTECTION PANEL | 1 | |
| 56 | 669-8631 | MUFFLER | 1 | |
| 57 | 949-432 | BOLT WASHER M6 (10 PCS.) | 2 | |
| 58 | 669-6819 | HEX. SOCKET HD. BOLT M6 X 55 | 2 | |
| 59 | 669-6536 | INTAKE COVER (B) | 1 | |
| 60 | 669-6944 | PISTON PIN | 1 | |
| 61 | 669-6531 | PISTON | 1 | |
| 62 | 669-8386 | HEX. SOCKET HD. BOLT (W/SP. WASHER) M5 X 18 | 8 | |
| 63 | 669-6530 | CYLINDER PACKING | 1 | |
| 64 | 669-6532 | PISTON RING | 1 | |
| 65 | 668-4590 | CIR CLIP | 2 | |
| 66 | 669-6879 | FLYWHEEL NUT M7 | 1 | |
| 67 | 669-6880 | BOLT WASHER D7 | 1 | |
| 68 | 669-8603 | STARTER PAWL | 2 | |
| 69 | 668-5335 | STARTER PAWL SPRING | 2 | |
| 70 | 669-8601 | MAGNETO ROTOR | 1 | |
| 71 | 668-5336 | RETAINING RING D4 | 2 | |
| 72 | 669-8872 | CRANK CASE (B) ASS'Y | 1 | INCLUD. 73, 74 |
| 73 | 668-4607 | OIL SEAL TB 12227 | 2 | |
| 74 | 668-4608 | BALL BEARING 6001 C3 | 2 | |
| 75 | 669-6946 | SHIM T0.2 | 1 | |
| 76 | 669-6945 | SHIM T0.3 | 1 | |
| 77 | 669-9043 | CRANK SHAFT | 1 | |
| 78 | 669-8729 | CRANK CASE (A) ASS'Y | 1 | INCLUD. 73, 74, 80 |
| 79 | 669-6539 | CRANK CASE PACKING | 1 | |
| 80 | 669-6947 | KNOCK PIN 4 X 12 | 2 | |
| 81 | 669-9173 | CLUTCH (B) | 1 | |
| 82 | 669-9040 | CLUTCH DRUM | 1 | |
| 83 | 669-8740 | BALL BEARING 6002ZC3 | 2 | |
| 84 | 939-544 | RETAINING RING FOR D15 SHAFT (10 PCS.) | 1 | |
| 85 | 668-8643 | GREASE NIPPLE COMP. | 1 | |
| 86 | 302-089 | TAPPING SCREW (W/FLANGE) D5 X 20 (BLACK) | 1 | |
| 87 | 669-8876 | MUFFLER PROTECTOR | 1 | |
| 88 | 887-021 | SCREW (W/WASHERS) M5 X 16 (BLACK) | 1 | |
| 89 | 669-8782 | TAIL PIPE | 1 | |
| 90 | 669-8634 | FIXATION PLATE (A) | 1 | |
| 91 | 304-043 | MACHINE SCREW (W/WASHERS) M4 X 10 (BLACK) | 1 | |
| 92 | 669-9073 | FIXATION PLATE (B) | 2 | |
| 93 | 669-5495 | HEX. HOLE BOLT 6 X 18/S | 4 | |
| 94 | | TANAKA LABEL | 1 | |
| 95 | 669-8878 | TAPPING SCREW D4.5 X 16 | 1 | |
| 96 | 668-5189 | PLATE | 1 | |
| 97 | | STARTER KNOB | 1 | |
| 98 | | STARTER ROPE | 1 | |
| 99 | 669-8988 | HEX. SOCKET HD. BOLT (W/BUTTON) M5 X 20 | 3 | |

PARTS

TCH 22ECP2

| ITEM NO. | CODE NO. | DESCRIPTION | NO. USED | REMARKS | |
|----------|----------|----------------------|--|------------------------|------------|
| 100 | 669-7591 | RECOIL SPRING | 1 | | |
| 101 | 669-3072 | STARTER ROPE REEL | 1 | | |
| 102 | 668-5183 | DAMPER SPRING | 1 | | |
| 103 | | CAM PLATE | 1 | | |
| 104 | 668-4679 | SET SCREW | 1 | | |
| 105 | 669-8622 | RECOIL STARTER ASS'Y | 1 | INCLUD. 96-98, 100-104 | |
| 106 | 669-8624 | AIR DEFLECTOR | 1 | | |
| 107 | 669-8402 | FUEL TANK CAP ASS'Y | 1 | INCLUD. 108 | |
| 108 | 669-8732 | TANK CAP CHAIN | 1 | | |
| 109 | 669-8931 | FUEL GROMMET | 1 | | |
| * | 110 | 669-8873 | FUEL PIPE | 1 | |
| * | 110 | 669-9183 | FUEL PIPE | 1 | FOR USA |
| | 111 | 669-8875 | FUEL PIPE (PINK) | 1 | |
| | 112 | 669-6970 | RETURN GROMMET | 1 | |
| | 113 | 669-6949 | CLIP | 1 | |
| | 114 | 669-8874 | PUMP FILTER | 1 | |
| | 115 | 669-8615 | CUSHION RUBBER | 4 | |
| * | 116 | 669-8613 | TANK | 1 | |
| * | 116 | 669-8612 | TANK (A) | 1 | FOR USA |
| | 117 | | CAUTION LABEL | 1 | |
| | 141 | 669-8814 | HEX. SOCKET HD. BOLT (W/FLANGE) M6 X 32 | 2 | |
| | 142 | 669-8776 | FRONT HANDLE | 1 | |
| | 143 | | CAUTION LABEL | 1 | |
| | 144 | 669-8777 | FRAME | 1 | |
| | 145 | | NAME PLATE | 1 | |
| | 146 | 669-8778 | DAMPER | 1 | |
| | 147 | 669-8880 | HANDLE A | 1 | |
| | 148 | 669-8945 | FLEXIBLE GROMMET | 1 | |
| | 149 | 669-6348 | SPRING (A) | 1 | |
| | 150 | 669-9055 | LOCK LEVER | 1 | |
| | 151 | 669-9053 | THROTTLE LEVER | 1 | |
| | 152 | 669-6344 | TRIGGER LOCKOUT | 1 | |
| | 153 | 669-6345 | THROTTLE LEVER SPRING | 1 | |
| | 154 | 669-6940 | STOP SWITCH | 1 | |
| | 155 | 669-9051 | HANDLE B | 1 | |
| | 156 | 305-812 | TAPPING SCREW (W/FLANGE) D4 X 16 (BLACK) | 4 | |
| | 157 | 669-8627 | THROTTLE WIRE | 1 | |
| | 158 | 669-8738 | PROTECTION TUBE | 1 | |
| | 159 | 669-9058 | STOP SWITCH CORD | 1 | |
| | 160 | 669-9059 | STOP SWITCH CORD (B) | 1 | |
| | 161 | 669-8815 | HEX. SOCKET HD. BOLT (W/FLANGE) M6 X 22 | 2 | |
| | 162 | 669-6359 | CLIP | 1 | |
| | 163 | 669-8766 | NYLON NUT M6 | 2 | |
| * | 164 | 668-4639 | BOLT WASHER 6 | 4 | |
| * | 164 | 668-4639 | BOLT WASHER 6 | 2 | FOR 780 MM |
| * | 165 | 669-9108 | U-NUT M5 | 5 | |
| * | 165 | 669-9108 | U-NUT M5 | 6 | FOR 780 MM |
| * | 166 | 669-9114 | WASHER (A) | 2 | FOR 620 MM |
| * | 167 | 669-9178 | RUBBER WASHER | 2 | FOR 620 MM |
| * | 168 | 669-2244 | COLLAR 5.8 | 1 | FOR 620 MM |

