

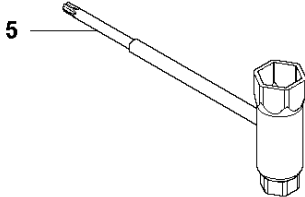
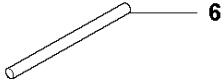
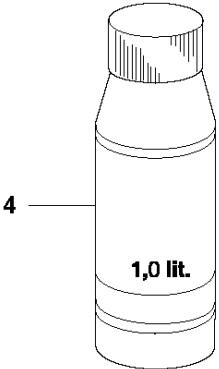
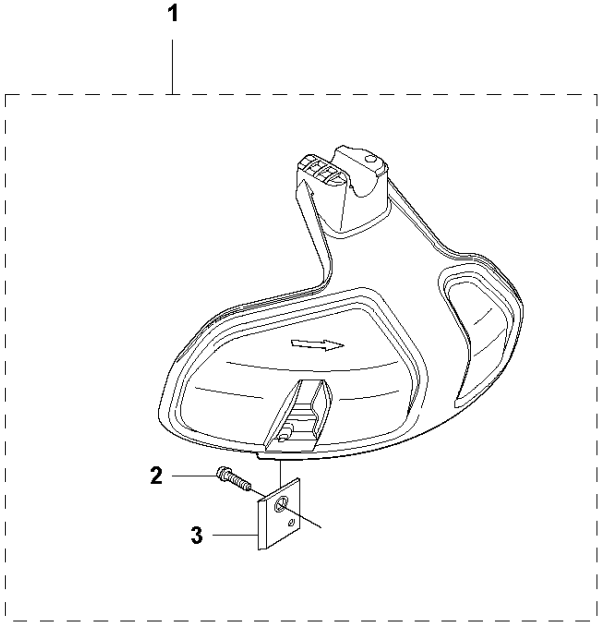


SPARE PARTS LIST

TRIMMERS/EDGERS

522 L, 2015-10

N 522L
ACCESSORIES

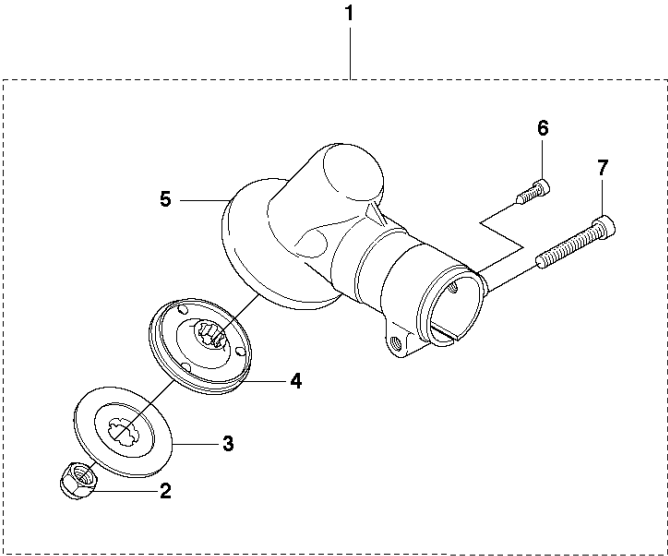
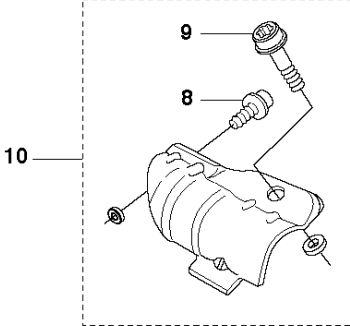


ACCESSORIES

522 L, 2015-10

Ref	Part No	Description	Remark	QTY KIT
1	503 97 71-01	TRIMMER GUARD		
2	503 21 07-16	SCREW IHST		1
3	503 79 88-01	BLADE		1
4	531 30 02-68	XP OIL IN BAG 2.6 OZ.		
5	575 73 82-02	COMBINATION WRENCH		
6	502 28 59-01	STOP		
7	503 55 86-01	SPANNER		

A 522L
BEVEL GEAR

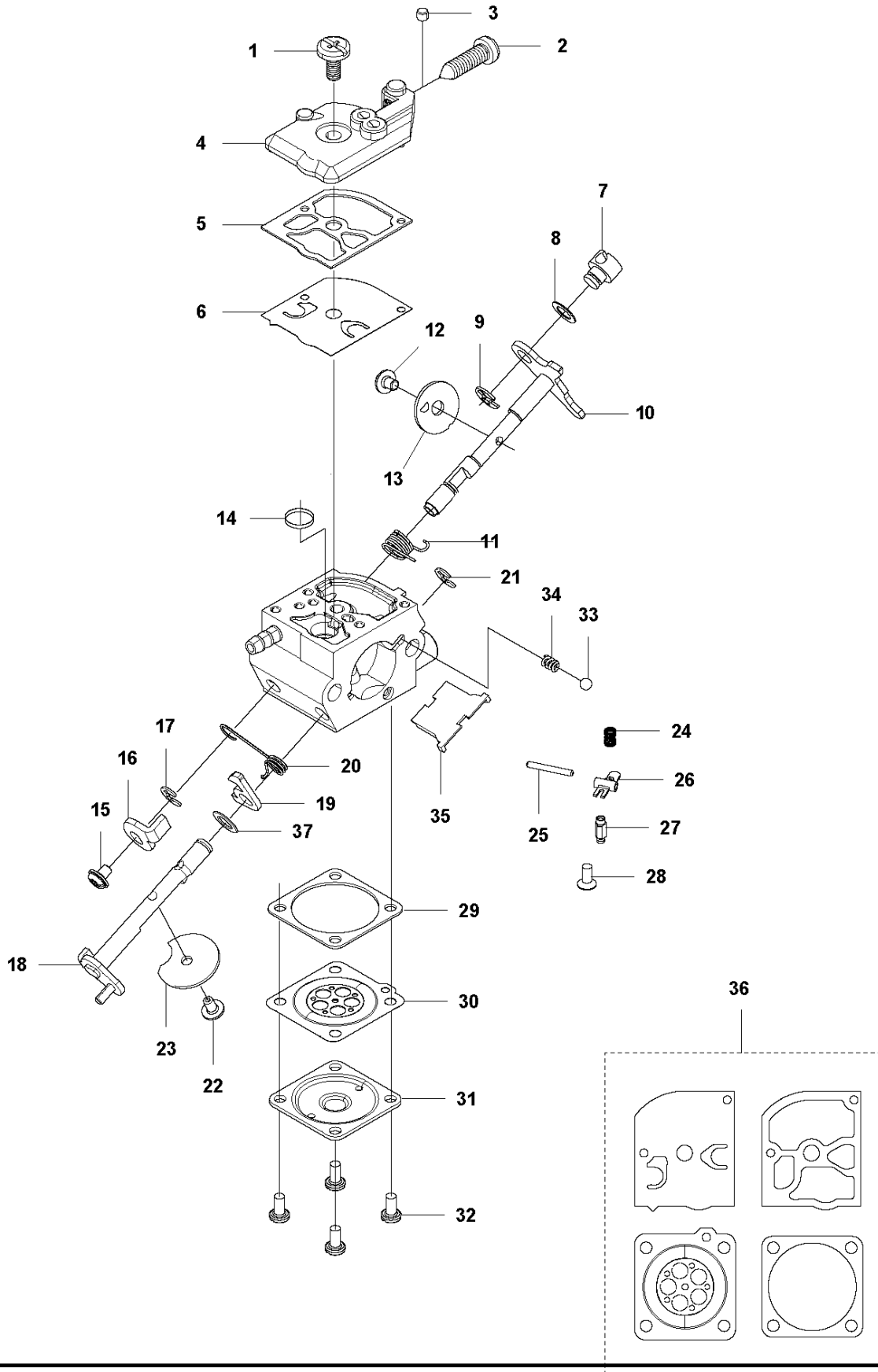


BEVEL GEAR

522 L, 2015-10

Ref	Part No	Description	Remark	QTY KIT
1	537 19 92-02	BEVEL GEAR ASSY		
2	503 85 63-01	NUT		1
3	537 28 56-01	SUPPORT FLANGE		1
4	537 23 49-01	DRIVER ASSY		1
5	537 33 38-01	BEVEL GEAR		1
6	574 71 08-01	BOLT		1
7	525 75 51-04	SCREW ITXSCFM		1
8	574 71 08-01	BOLT		10
9	523 01 90-01	BOLT		10
10	581 02 75-01	CLAMP		

M 522L
CARBURETOR

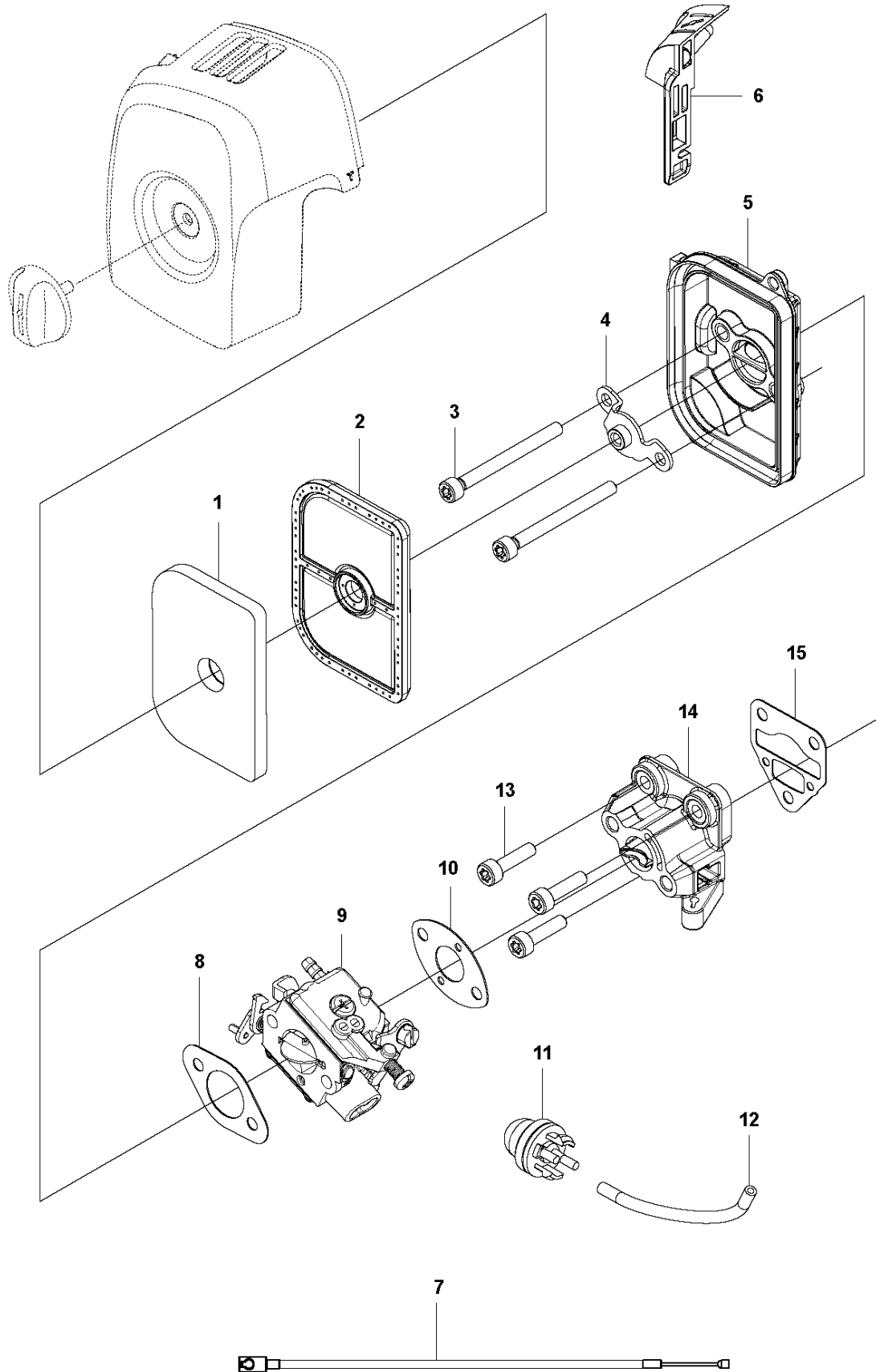


CARBURETOR

522 L, 2015-10

Ref	Part No	Description	Remark	QTY KIT
1	577 89 93-01	SCREW		
2	579 63 17-01	SCREW		
3	578 38 97-01	PLUG		
4	578 38 98-01	PUMP		
5	577 89 94-01	GASKET		
6	577 89 95-01	DIAPHRAGM		
7	586 38 34-01	SWIVEL		
8	577 90 11-01	GASKET		
9	577 90 04-01	E-RING		
10	585 31 96-01	SHAFT		
11	585 97 89-01	SPRING		
12	577 89 97-01	SCREW		
13	577 89 96-01	VALVE		
14	577 90 03-01	STRAINER		
15	577 89 97-01	SCREW		
16	585 31 98-01	LEVER		
17	577 90 04-01	E-RING		
18	585 31 99-01	SHAFT		
19	585 97 90-01	PLATE		
20	585 32 03-01	SPRING		
21	585 32 02-01	RING		
22	577 89 97-01	SCREW		
23	585 31 89-01	VALVE		
24	579 63 18-01	SPRING		
25	578 39 06-01	PEN		
26	578 39 02-01	LEVER		
27	579 63 19-01	VALVE		
28	578 39 03-01	SCREW		
29	577 89 99-01	GASKET		
30	577 90 01-01	DIAPHRAGM		
31	577 90 00-01	COVER		
32	577 90 05-01	SCREW		
33	577 90 15-01	BALL		
34	577 90 16-01	SPRING		
35	577 90 10-01	PLATE		
36	577 90 18-01	GASKET KIT	Includes 5,6,29,30	
37	585 31 97-01	SPACER		

E 522L
CARBURETOR & AIRFILTER

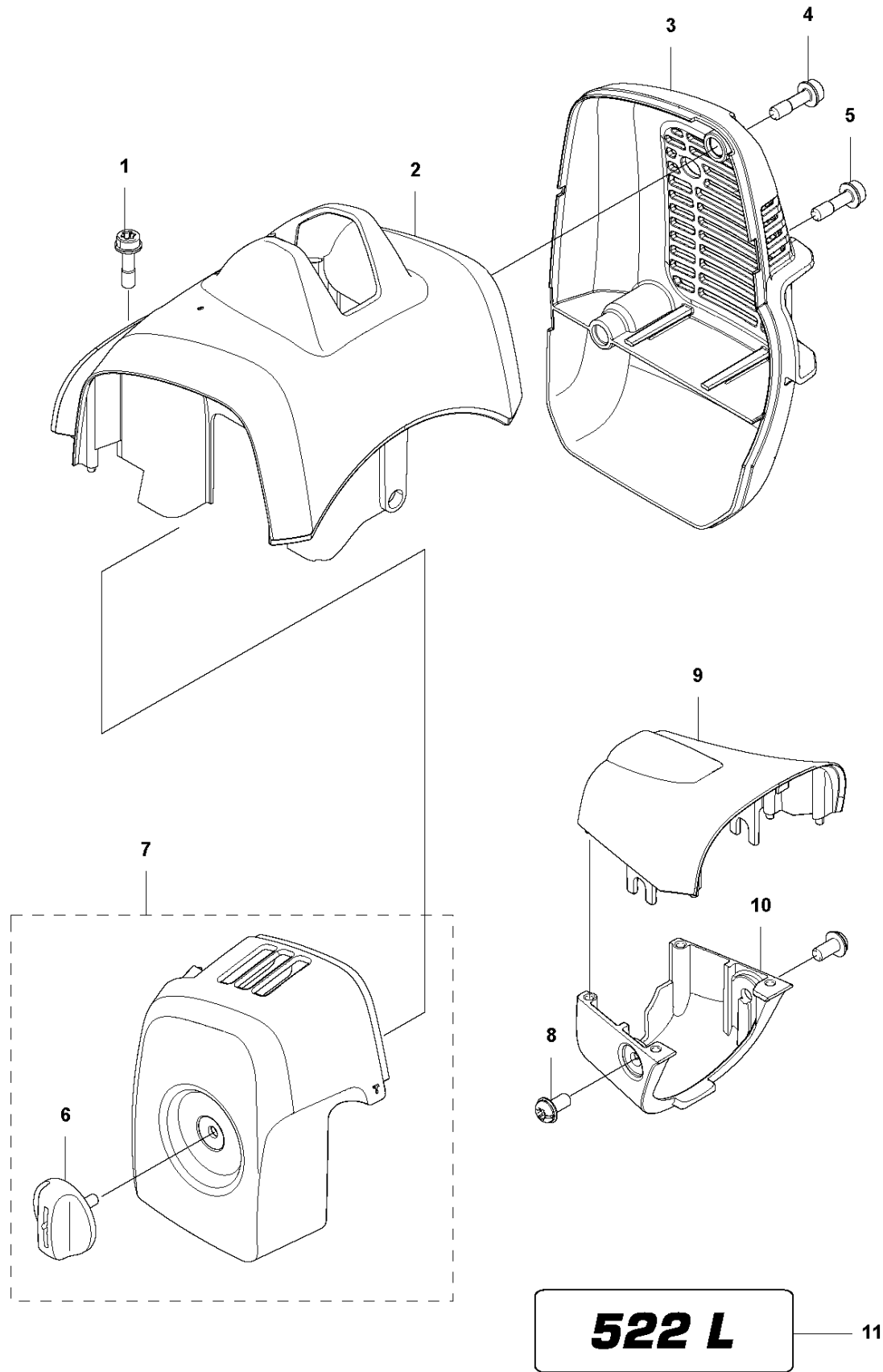


CARBURETOR & AIR FILTER

522 L, 2015-10

Ref	Part No	Description	Remark	QTY KIT
1	577 85 15-01	AIR FILTER		
2	576 40 16-01	AIR FILTER		
3	580 46 72-01	BOLT		
4	580 43 79-01	PLATE		
5	577 85 13-01	FILTER HOUSING		
6	577 94 83-03	CHOKE CONTROL		
7	578 86 43-01	THROTTLE CABLE		
8	577 88 24-02	GASKET		
9	577 20 32-04	CARBURETTOR		
10	576 39 91-02	GASKET		
11	503 93 66-01	PRIMER HOUSING		
12	577 05 05-01	PIPE		
13	504 11 43-01	SCREW		
14	578 90 83-01	INSULATOR		
15	576 39 89-01	GASKET		

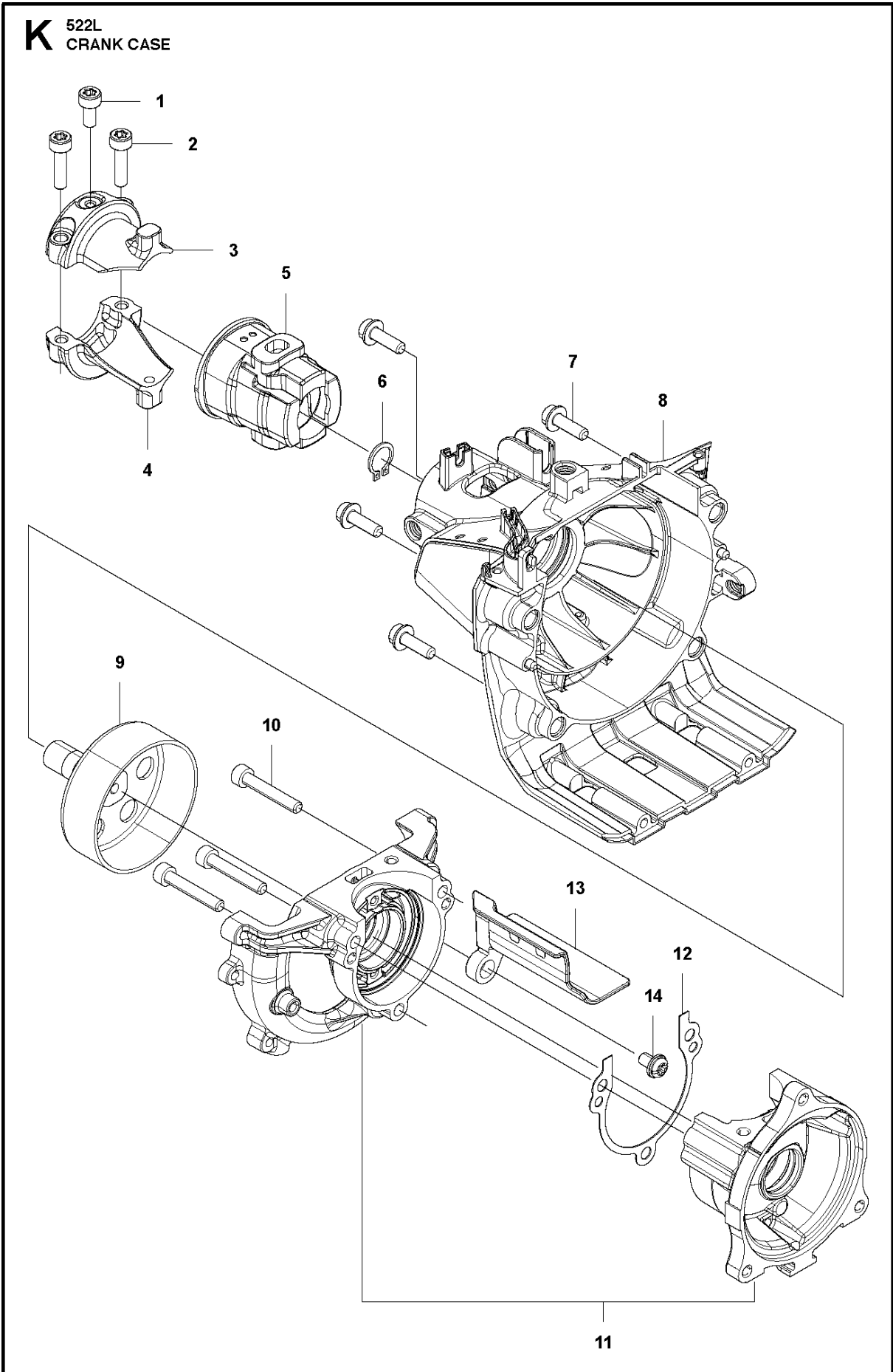
D 522L
COVERS



COVER

522 L, 2015-10

Ref	Part No	Description	Remark	QTY KIT
1	577 81 54-01	BOLT		
2	576 41 07-05	CYLINDER COVER		
3	576 41 08-05	MUFFLER GUARD		
4	577 81 54-01	BOLT		
5	577 81 54-01	BOLT		
6	576 99 24-02	KNOB		7
7	578 07 92-02	FILTER COVER		
8	578 47 35-01	SCREW		
9	577 94 80-02	COVER		
10	577 94 78-02	COVER		
11	579 44 58-19	DECAL		

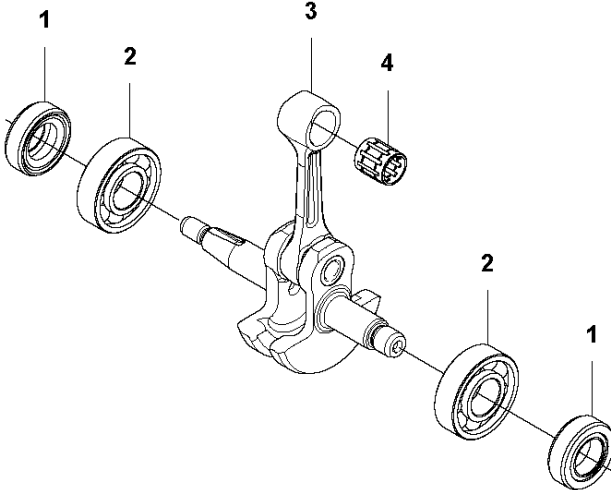


CRANKCASE

522 L, 2015-10

Ref	Part No	Description	Remark	QTY KIT
1	529 26 81-01	BOLT		
2	577 94 20-01	BOLT		
3	576 42 07-02	BRACKET		
4	576 42 08-02	BRACKET		
5	576 42 05-01	CUSHION		
6	516 12 41-01	RING		
7	577 94 23-01	BOLT		
8	576 41 06-03	HOUSING		
9	581 14 20-01	CLUTCH DRUM		
10	512 84 59-01	BOLT		
11	578 01 00-04	CRANKCASE		
12	576 40 75-01	GASKET		
13	576 41 02-02	PLATE		
14	544 25 68-01	SCREW		

L 522L
CRANK SHAFT

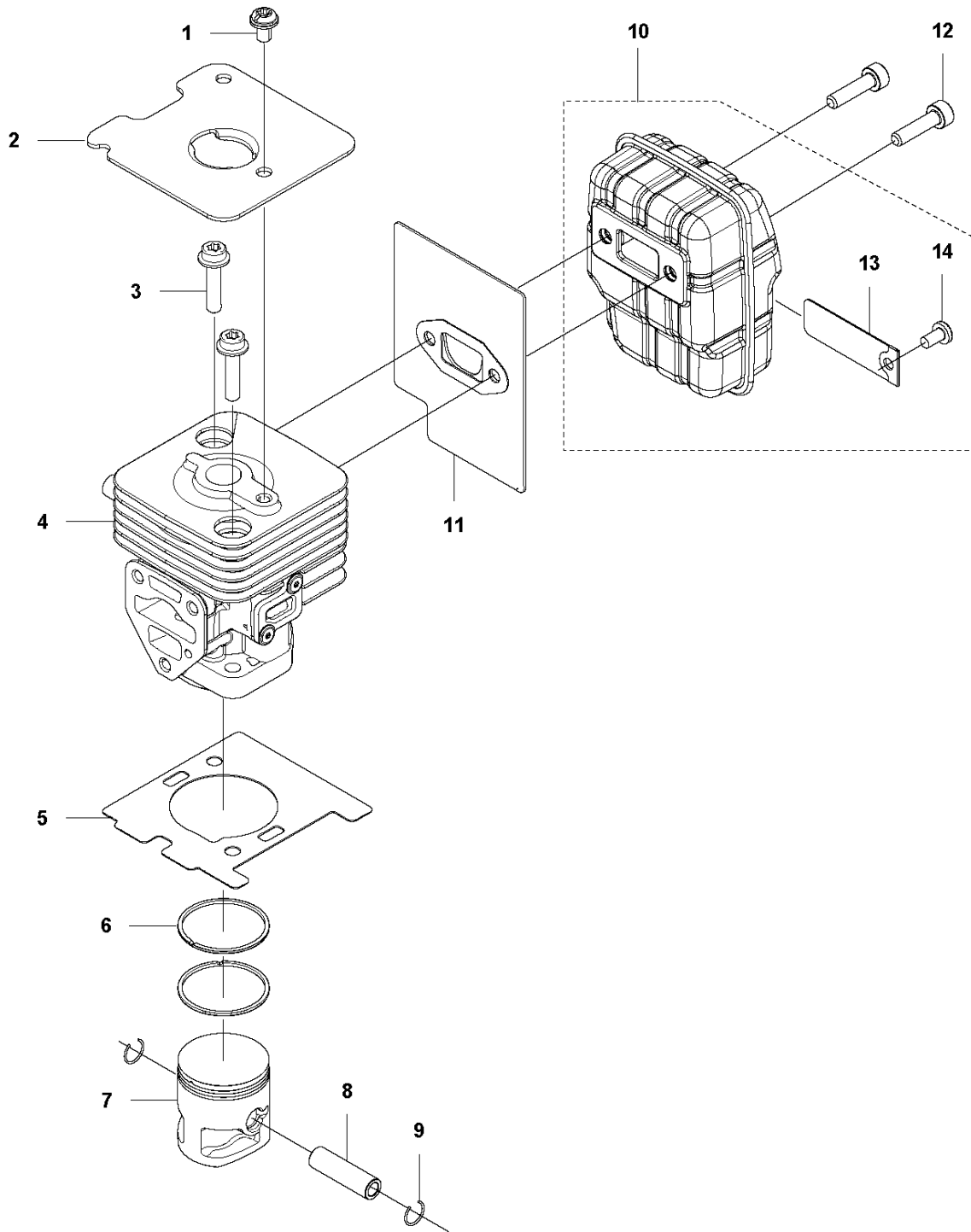


CRANKSHAFT

522 L, 2015-10

Ref	Part No	Description	Remark	QTY KIT
1	521 52 14-01	OIL SEAL		
2	521 75 68-01	BALL BEARING		
3	586 65 68-01	CRANKSHAFT		
4	576 40 27-01	BEARING		

J 522L
CYLINDER PISTON & MUFFLER

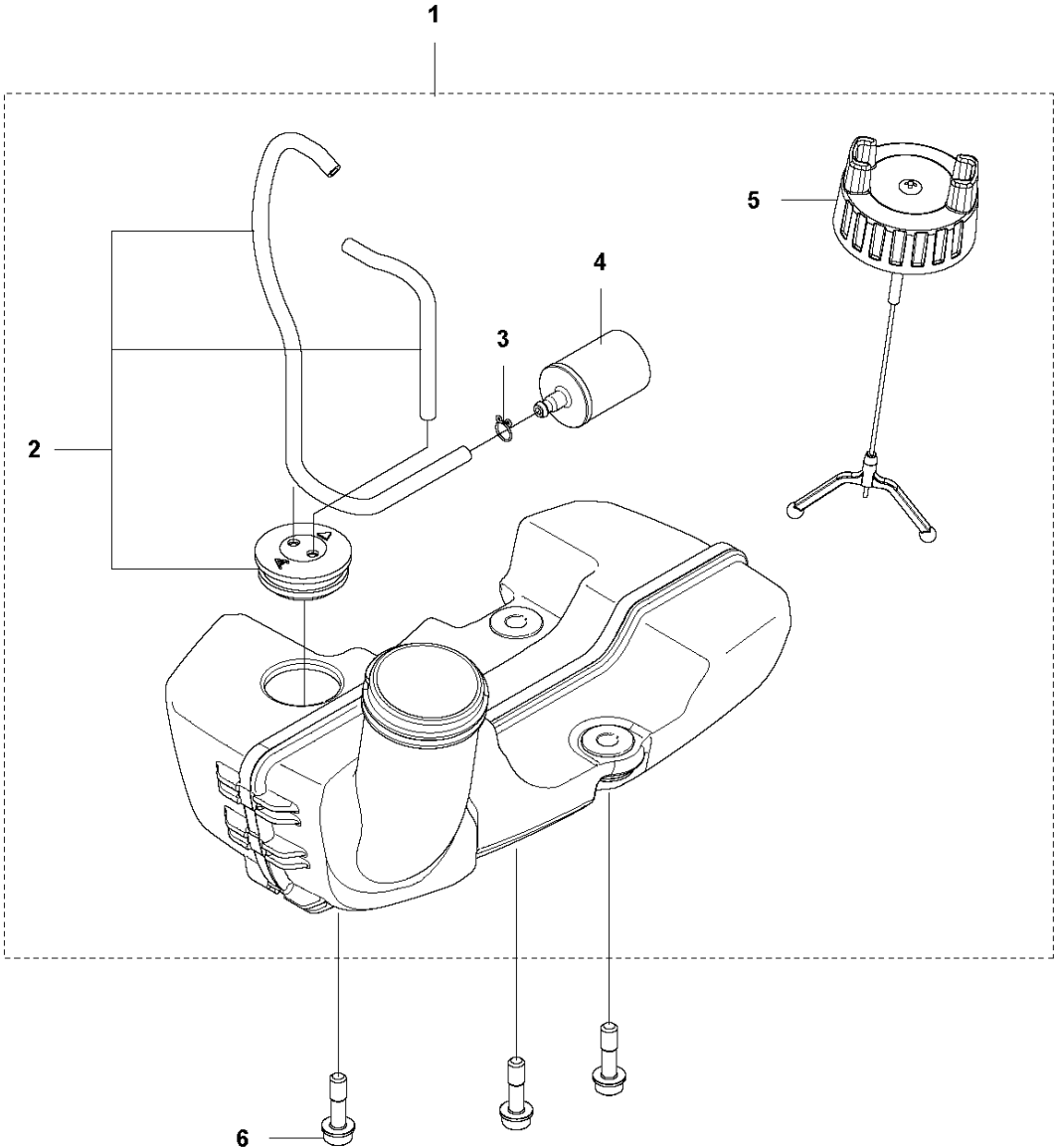


CYLINDER, PISTON & MUFFLER

522 L, 2015-10

Ref	Part No	Description	Remark	QTY KIT
1	544 25 68-01	SCREW		
2	578 47 34-04	PLATE		
3	506 74 52-01	BOLT		
4	578 14 38-01	CYLINDER		
5	576 40 71-01	GASKET		
6	576 40 82-01	RING		
7	579 52 92-01	PISTON		
8	510 91 63-01	PIN.PISTON		
9	505 04 52-01	RING		
10	580 69 49-02	MUFFLER ASSY		
11	578 07 86-02	GASKET		
12	504 11 43-01	SCREW		
13	580 51 44-01	SPARK ARRESTER		10
14	729 57 74-05	SCREW CRPANT		10

G 522L
FUEL TANK

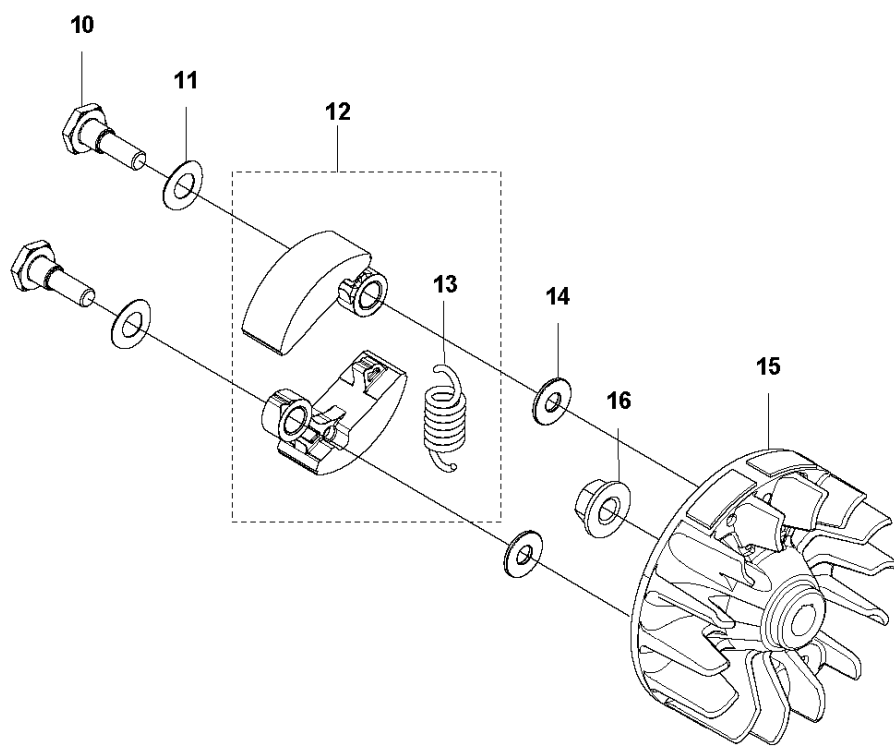
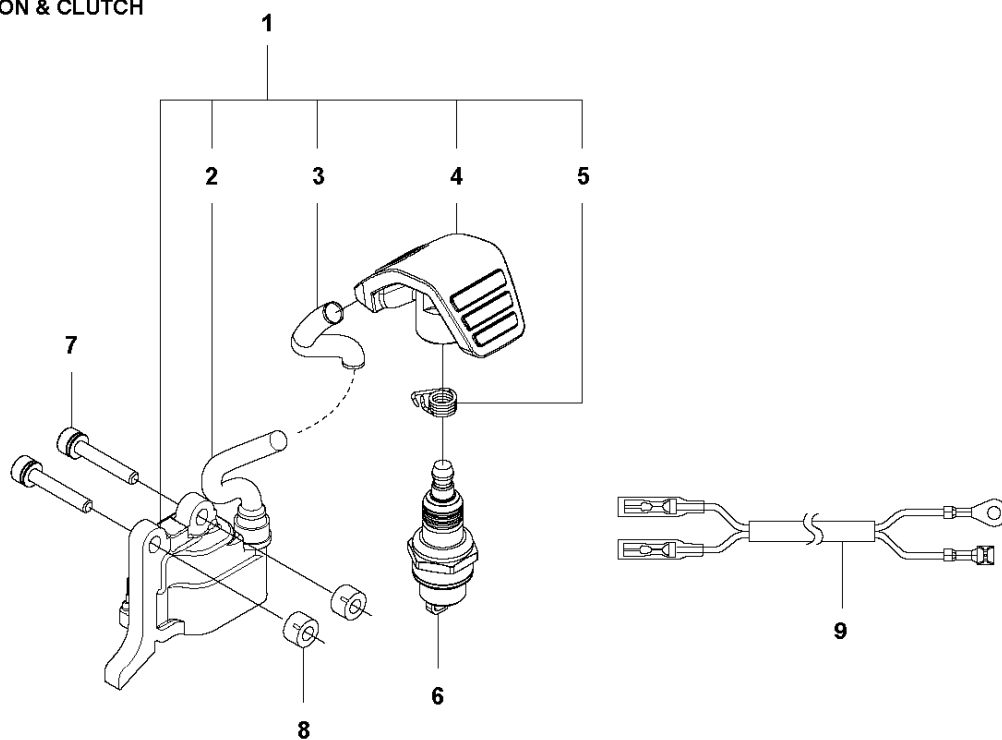


FUEL TANK

522 L, 2015-10

Ref	Part No	Description	Remark	QTY KIT
1	578 07 93-04	FUEL TANK		
2	579 21 03-05	HOSE ASSY		1
3	506 70 70-01	CLIP		1
4	503 44 32-01	FILTER		1
5	579 64 57-03	TANK CAP		1
6	577 81 54-01	BOLT		

H 522L
IGNITION & CLUTCH



IGNITION SYSTEM & CLUTCH

522 L, 2015-10

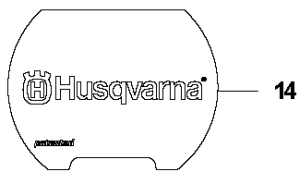
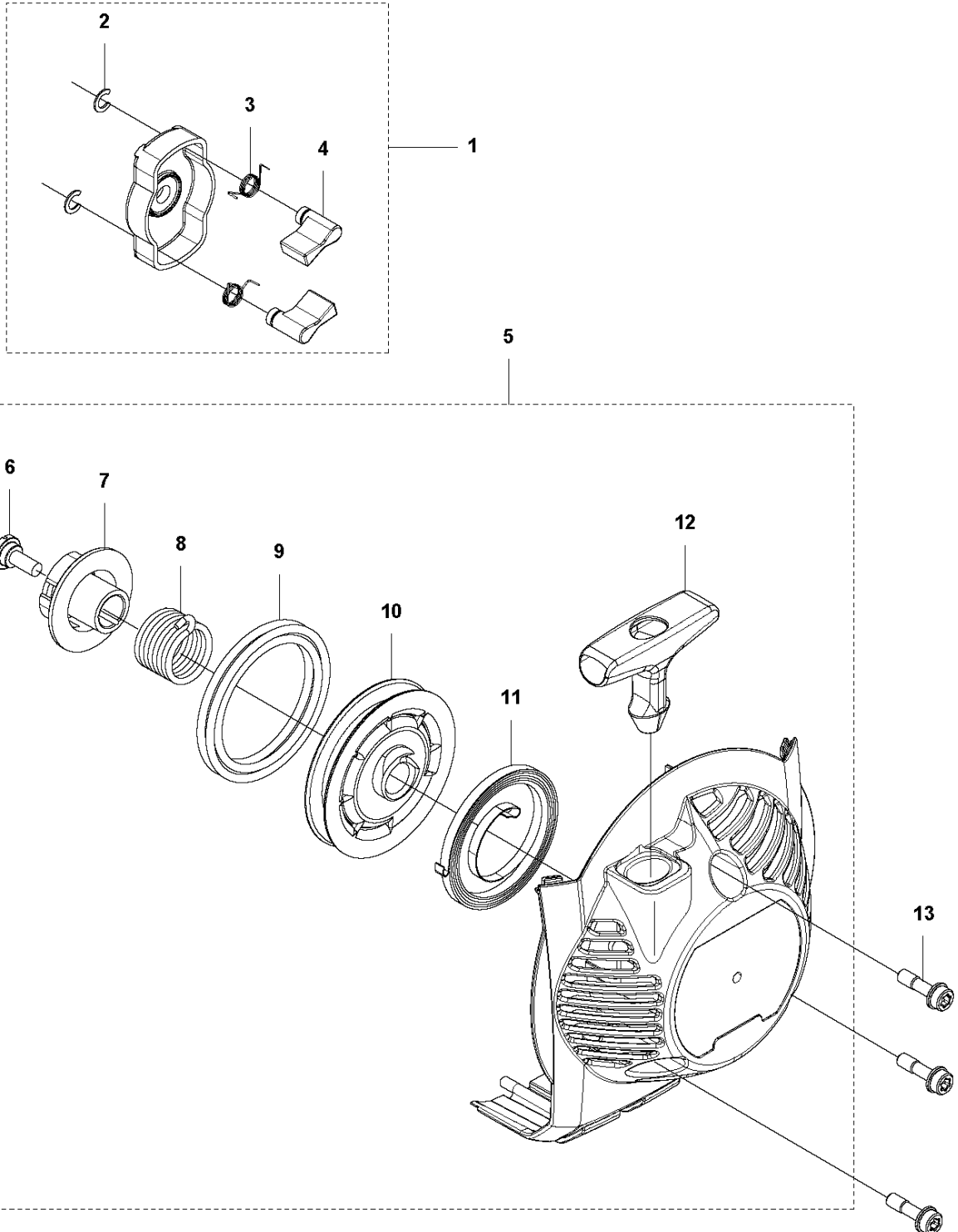
Ref	Part No	Description	Remark	QTY KIT
1	588 14 18-01	IGNITION COIL		
2	584 82 66-01	IGNITION CABLE		1
3	579 59 07-01	TUBE		1
4	586 10 72-01	SPARK PLUG CAP		1
5	580 63 48-01	SPRING		1
6	584 96 81-01	SPARK PLUG	BPMR8Y:NGK	
7	578 49 64-01	BOLT		
8	588 17 14-01	SPACER		
9	577 85 17-01	SHORT CIRCUIT CABLE		
10	513 18 96-01	SCREW		
11	513 18 95-01	WASHER		
12	585 83 47-01	CLUTCH ASSY		
13	576 40 07-01	CLUTCH SPRING		12
14	505 05 44-01	WASHER		
15	577 44 58-01	FLYWHEEL		
16	513 66 75-01	NUT		

SHAFT & HANDLE

522 L, 2015-10

Ref	Part No	Description	Remark	QTY KIT
1	579 14 90-01	TUBE		
2	503 87 19-06	HANDLE		
3	510 90 61-01	BOLT		
4	503 94 03-01	DISTANCE		
5	502 19 71-01	SQUARE NUT		
6	581 81 51-01	DRIVE SHAFT		
7	501 88 91-01	DECAL		
8	503 79 56-01	LABEL		

F 522L
STARTER

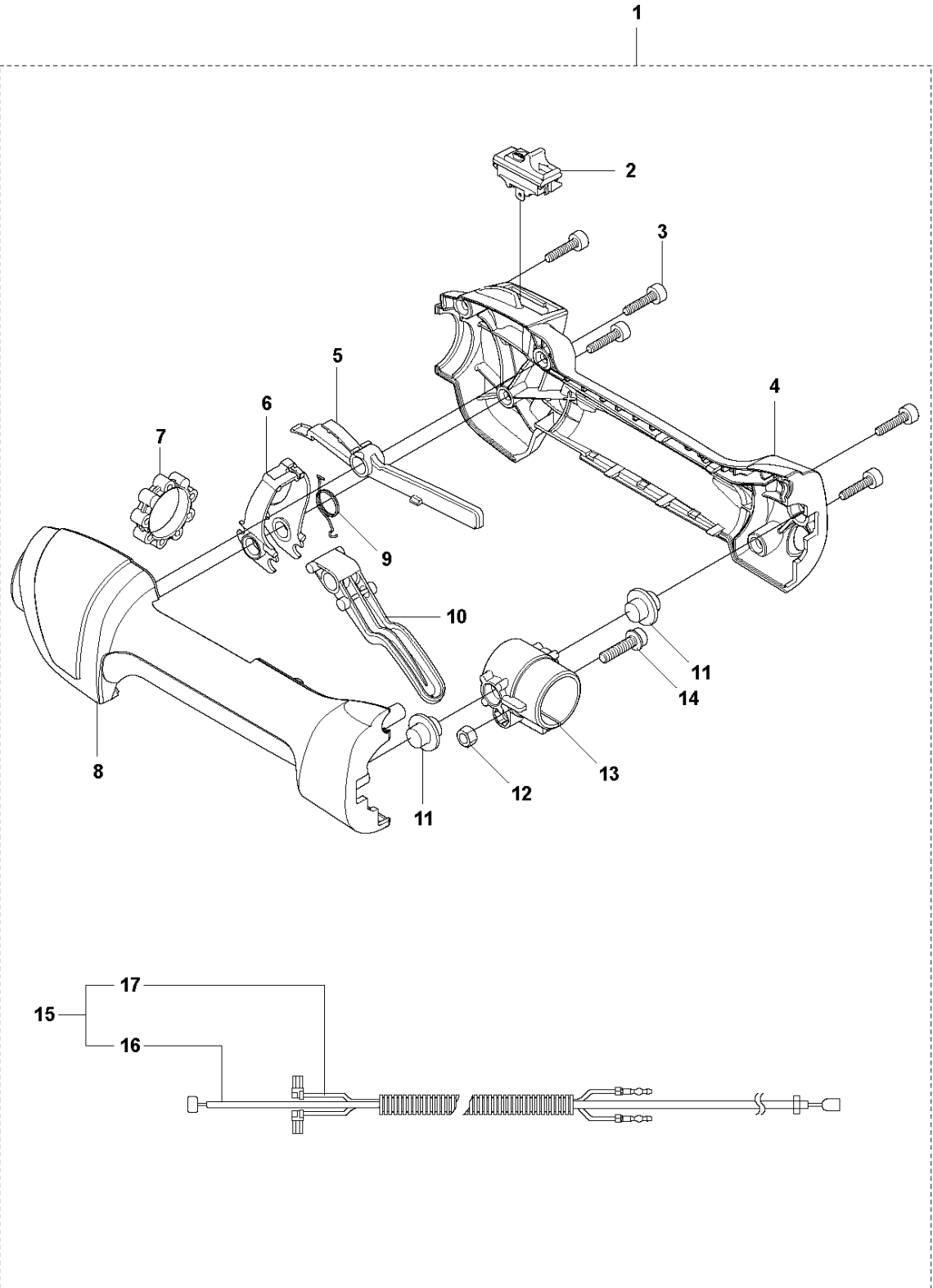


STARTER

522 L, 2015-10

Ref	Part No	Description	Remark	QTY KIT
1	581 14 65-01	STARTER PULLEY		
2	521 60 04-01	E-RING		1
3	521 60 03-01	SPRING		1
4	521 60 02-01	RATCHET		1
5	577 94 29-05	STARTER		
6	521 60 00-01	SCREW		5
7	576 40 12-01	PULLEY		5
8	577 13 41-01	SPRING		5
9	577 84 87-01	ROPE		5
10	577 84 88-01	REEL		5
11	504 11 50-01	SPRING.SPIRAL		5
12	575 48 95-01	STARTER HANDLE		5
13	577 81 54-01	BOLT		
14	579 36 96-01	DECAL		

C 522L
THROTTLE CONTROLS



THROTTLE CONTROLS

522 L, 2015-10

Ref	Part No	Description	Remark	QTY KIT
1	578 27 95-01	THROTTLE CONTROL		
2	537 41 90-01	SWITCH		1
3	575 96 05-01	SCREW IHSCT		1
4	544 23 84-01	HANDLE HALF		1
5	503 87 80-01	THROTTLE LOCKOUT		1
6	503 91 81-01	THROTTLE LEVER		1
7	503 96 14-01	ABSORBER		1
8	544 23 85-01	HANDLE HALF		1
9	544 10 08-01	RECOIL SPRING		1
10	503 87 79-03	THROTTLE TRIGGER		1
11	544 10 17-03	DAMPER		1
12	731 23 14-01	HEXAGON NUT		1
13	544 11 21-01	RETAINER		1
14	506 68 90-01	BOLT		1
15	578 27 96-01	WIRING		1
16	578 86 78-01	THROTTLE CABLE		1,15
17	502 53 16-01	SHORT CIRCUIT CABLE		1,15