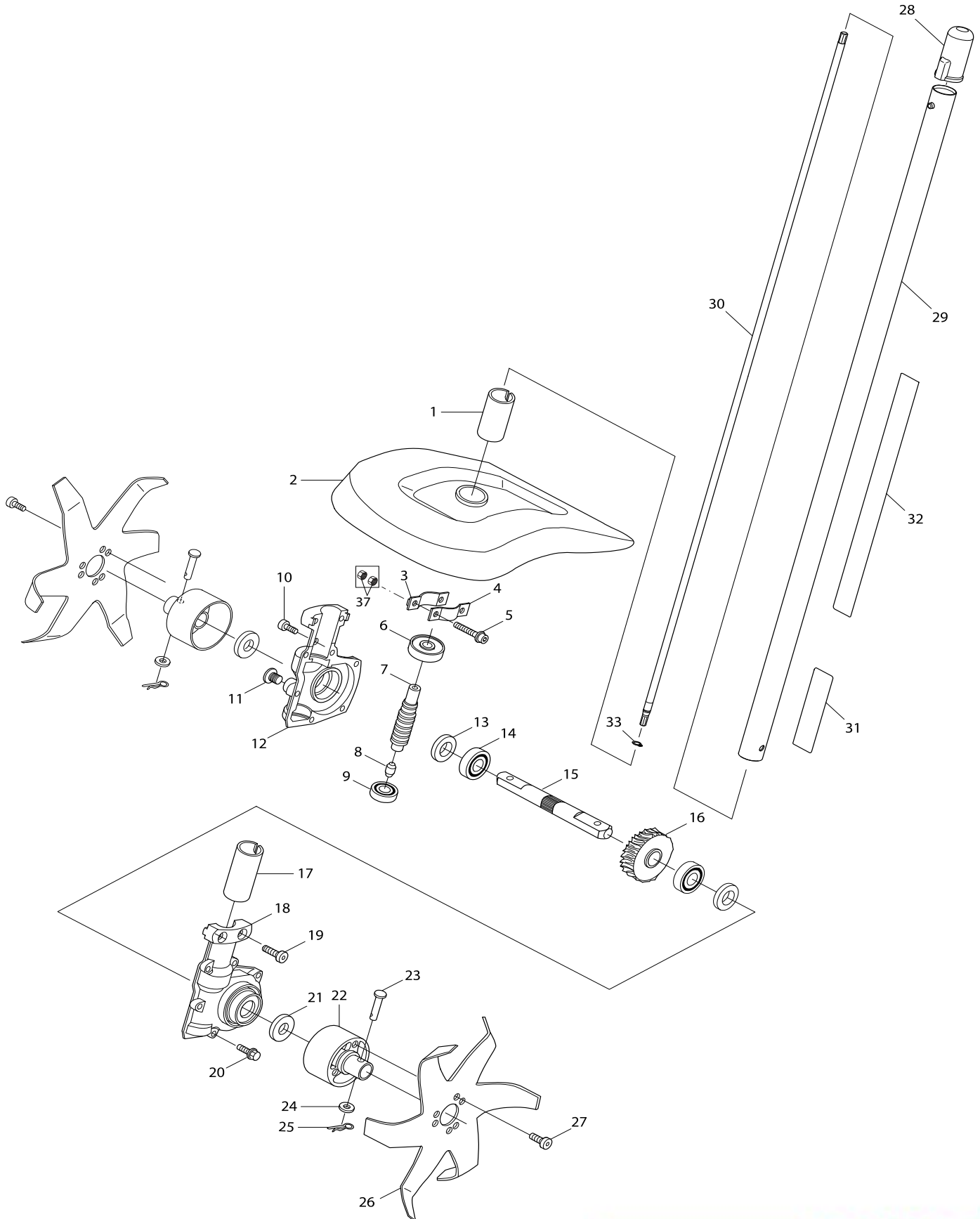




PARTS BREAKDOWN

KR400MP

MC-CS



Products with multiple versions are listed in subsiding order with the newest version on top not indented.

| Section | Fig. No. | Part No. | Description | KR400MP | MC-CS | Tech Bulletin | Notes |
|---------|----------|------------|----------------------------|---------|-------|---------------|-------|
| 1 | 1 | XNR0000506 | COVER SLEEVE | 1 | 1 | | |
| 1 | 2 | XNR0000441 | BLADE COVER | 1 | 1 | | |
| 1 | 3 | XNR0000436 | CLAMPING COLLAR | 1 | 1 | | |
| 1 | 4 | XNR0000487 | GUARD CLAMP B | 1 | 1 | | |
| 1 | 5 | XNR0000507 | HEX SOCKET HEAD BOLT M6X45 | 2 | 2 | | |
| 1 | 6 | XNR0000060 | BALL BEARING #6001ZZ | 1 | 1 | | |
| 1 | 7 | XNR0000439 | WORM | 1 | 1 | | |
| 1 | 8 | XNR0000484 | PLUG | 1 | 1 | | |
| 1 | 9 | XNR0000052 | BALL BEARING #6003ZZ | 1 | 1 | | |
| 1 | 10 | XNR0000094 | TORX BOLT M5X10 | 1 | 1 | | |
| 1 | 11 | XNR0000123 | PLUG | 1 | 1 | | |
| 1 | 12 | XNR0000452 | WORM CASE B | 1 | 1 | | |
| 1 | 13 | XNR0000063 | OIL SEAL | 2 | 2 | | |
| 1 | 14 | XNR0000055 | BALL BEARING #6003ZZ | 1 | 1 | | |
| 1 | 15 | XNR0000454 | SHAFT | 1 | 1 | | |
| 1 | 16 | XNR0000453 | WHEEL | 1 | 1 | | |
| 1 | 17 | XNR0000485 | CASE SLEEVE | 1 | 1 | | |
| 1 | 18 | XNR0000451 | WORM CASE | 1 | 1 | | |
| 1 | 19 | XNR0000113 | TORX SCREW M6X18 | 2 | 2 | | |
| 1 | 20 | XNR0000509 | BOLT M5X16 | 6 | 6 | | |
| 1 | 21 | XNR0000481 | PLAIN WASHER | 2 | 2 | | |
| 1 | 22 | XNR0000486 | HUB | 2 | 2 | | |
| 1 | 23 | XNR0000475 | PIN (8X30) | 2 | 2 | | |
| 1 | 24 | XNR0000471 | WASHER 8 (SMALL) | 2 | 2 | | |
| 1 | 25 | XNR0000472 | PIN R | 2 | 2 | | |
| 1 | 26 | XNR0000435 | ROTOR | 2 | 2 | | |
| 1 | 27 | XNR0000109 | TORX BOLT M6X12 | 6 | 6 | | |
| 1 | 28 | 424434-7 | CAP 24 | 1 | 1 | | |
| 1 | 29 | 141106-6 | SHAFT PIPE A COMPLETE | 1 | 1 | | |
| 1 | 30 | 326088-5 | SHAFT A | 1 | 1 | | |
| 1 | 31 | 893388-3 | DOLMAR LOGO LABEL | 1 | 1 | | |
| 1 | 32 | 806J63-8 | CAUTION LABEL | 1 | 1 | | |

Products with multiple versions are listed in subsiding order with the newest version on top not indented.

| Section | Fig. No. | Part No. | Description | KR400MP | MC-CS | Tech Bulletin | Notes |
|---------|----------|------------|--------------------|---------|-------|---------------|-------|
| 1 | 33 | 961003-8 | RETAINING RING S-7 | 1 | 1 | | |
| 1 | 34 | 808D54-3 | CAUTION LABEL | 1 | 1 | | |
| 1 | 35 | 808D55-1 | CAUTION LABEL | 1 | 1 | | |
| 1 | 36 | 808D56-9 | CAUTION LABEL | 1 | 1 | | |
| 1 | 37 | XNR0000508 | HARD LOCK RIM M6 | 2 | 2 | | |