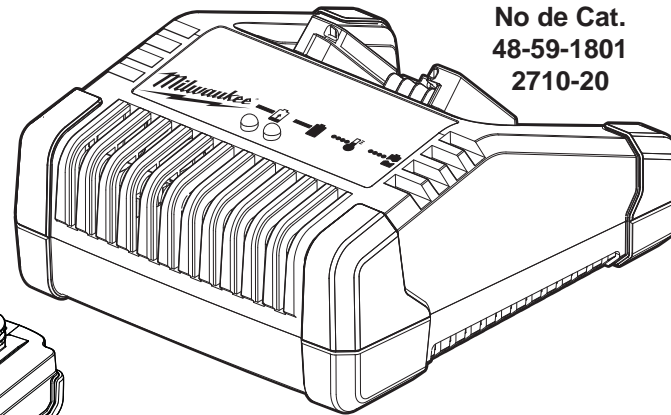


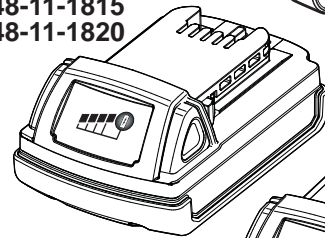


**OPERATOR'S MANUAL
MANUEL de L'UTILISATEUR
MANUAL del OPERADOR**

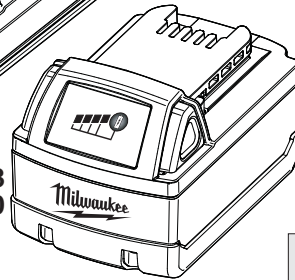
**Cat. No.
No de Cat.
48-59-1801
2710-20**



**Cat. No.
No de Cat.
48-11-1815
48-11-1820**



**Cat. No.
No de Cat.
48-11-1828
48-11-1840**



New batteries must be charged before first use.

Les batteries neuves doivent être chargées avant leur utilisation initiale.

Las baterías nuevas se deben cargar antes de usarlas por primera vez.

**M18™ Li-ION BATTERY CHARGERS
M18™ Li-ION BATTERY PACKS
CHARGEURS AU LITHIUM-ION M18™
BLOC DE PILES AU LITHIUM-ION M18™**

**CARGADORS PARA BATERÍAS DE IONES DE LITIO DE M18™
PAQUETE DE BATERÍA DE IONES DE LITIO DE M18™**

TO REDUCE THE RISK OF INJURY, USER MUST READ AND UNDERSTAND OPERATOR'S MANUAL.

AFIN DE RÉDUIRE LE RISQUE DE BLESSURES, L'UTILISATEUR DOIT LIRE ET BIEN COMPRENDRE LE MANUEL DE L'UTILISATEUR.

PARA REDUCIR EL RIESGO DE LESIONES, EL USUARIO DEBE LEER Y ENTENDER EL MANUAL DEL OPERADOR.

IMPORTANT SAFETY INSTRUCTIONS

⚠ WARNING READ AND UNDERSTAND ALL INSTRUCTIONS. Failure to follow all instructions listed below, may result in electric shock, fire and/or serious personal injury.

SAVE THESE INSTRUCTIONS

- 1. SAVE THESE INSTRUCTIONS - THIS OPERATOR'S MANUAL CONTAINS IMPORTANT SAFETY AND OPERATING INSTRUCTIONS FOR MILWAUKEE LI-ION BATTERY PACKS AND THE MILWAUKEE LI-ION CHARGER.**
- 2. BEFORE USING THE BATTERY PACK AND CHARGER, READ THIS OPERATOR'S MANUAL, YOUR TOOL OPERATOR'S MANUAL, AND ALL LABELS ON THE BATTERY PACK, CHARGER AND TOOL.**
- 3. CAUTION - TO REDUCE THE RISK OF INJURY, CHARGE MILWAUKEE LITHIUM-ION PACKS ONLY IN THEIR MILWAUKEE LITHIUM-ION CHARGER.** Other types of chargers may cause personal injury or damage. Battery pack and charger are not compatible with VTM-technology or NiCd systems. Do not wire a battery pack to a power supply plug or car cigarette lighter. Battery packs will be permanently disabled or damaged.
- 4. USE MILWAUKEE LITHIUM-ION PACKS ONLY ON COMPATIBLE MILWAUKEE LITHIUM-ION TOOLS.** Battery pack and charger are not compatible with VTM-technology or NiCd systems. Use with other tools may result in a risk of fire, electric shock or personal injury.
- 5. AVOID DANGEROUS ENVIRONMENTS.** Do not charge battery pack in rain, snow, damp or wet locations. Do not use battery pack or charger in the presence of explosive atmospheres (gaseous fumes, dust or flammable materials) because sparks may be generated when inserting or removing battery pack, possibly causing fire.
- 6. CHARGE IN A WELL VENTILATED AREA.** Do not block charger vents. Keep them clear to allow proper ventilation. Do not allow smoking or open flames near a charging battery pack. Vented gases may explode.
- 7. MAINTAIN CHARGER CORD.** When unplugging charger, pull plug rather than cord to reduce the risk of damage to the electrical plug and cord. Never carry charger by its cord. Keep cord from heat, oil and sharp edges. Make sure cord will not be stepped on, tripped over or subjected to damage or stress. Do not use charger with damaged cord or plug. Have a damaged charger replaced immediately.
- 8. DO NOT USE AN EXTENSION CORD UNLESS IT IS ABSOLUTELY NECESSARY.** Using the wrong, damaged or improperly wired extension cord could result in the risk of fire and electrical shock. If an extension cord must be used, plug the charger into a properly wired 16 gauge or larger extension cord with pins that are the same number, size and shape as the pins on the charger. Make sure that the extension cord is in good electrical condition.
- 9. CHARGER 48-59-1801 IS RATED FOR 120 VOLT AC ONLY. CHARGER 2710-20 IS RATED FOR 12 VOLT DC AND 120 VOLT AC.** Charger must be plugged into an appropriate receptacle.
- 10. USE ONLY RECOMMENDED ATTACHMENTS.** Use of an attachment not recommended or sold by the battery charger or battery pack manufacturer may result in a risk of fire, electric shock or personal injury.
- 11. UNPLUG CHARGER** when not in use. Remove battery packs from unplugged chargers.
- 12. TO REDUCE THE RISK OF ELECTRIC SHOCK,** always unplug charger before cleaning or maintenance. Do not allow water to flow into AC/DC plug. Use a Ground Fault Circuit Interrupter (GFCI) to reduce shock hazards.
- 13. DO NOT BURN OR INCINERATE BATTERY PACKS.** Battery packs may explode, causing personal injury or damage. Toxic fumes and materials are created when battery packs are burned.
- 14. DO NOT CRUSH, DROP, OR DAMAGE** battery pack. Do not use a battery pack or charger that has received a sharp blow, been dropped, run over, or damaged in any way (e.g., pierced with a nail, hit with a hammer, stepped on).
- 15. DO NOT DISASSEMBLE.** Incorrect reassembly may result in the risk of electric shock, fire or exposure to battery chemicals. If it is damaged, take it to a MILWAUKEE service facility.
- 16. BATTERY CHEMICALS CAUSE SERIOUS BURNS.** Never allow contact with skin, eyes, or mouth. If a damaged battery pack leaks battery chemicals, use rubber or neoprene gloves to dispose of it. If skin is exposed to battery fluids, wash with soap and water and rinse with vinegar. If eyes are exposed to battery chemicals, immediately flush with water for 20 minutes and seek medical attention. Remove and dispose of contaminated clothing.
- 17. DO NOT SHORT CIRCUIT.** A battery pack will short circuit if a metal object makes a connection between the positive and negative contacts on the battery pack. Do not place a battery pack near anything that may cause a short circuit, such as coins, keys or nails in your pocket. A short circuited battery pack may cause fire and personal injury.
- 18. STORE YOUR BATTERY PACK AND CHARGER** in a cool, dry place. Do not store battery pack where temperatures may exceed 120°F (50°C) such as in direct sunlight, a vehicle or metal building during the summer.

READ AND SAVE ALL INSTRUCTIONS FOR FUTURE REFERENCE.

SPECIFICATIONS

Charger* Cat. No.	AC Input Volts	AC Input Amps	DC Input Volts	DC Input Amps	DC Output Volts	DC Output Amps
48-59-1801	120	2.1	--	--	18 DC	3.1
2710-20	120	2.1	12	6.5	18 DC	3.1

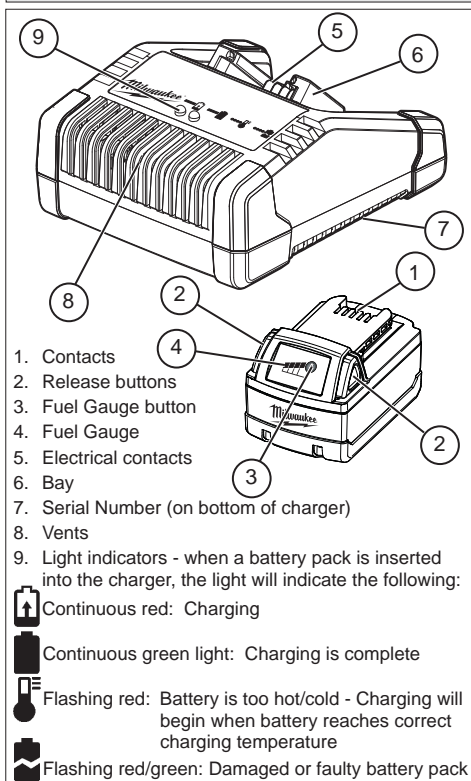
* Charges MILWAUKEE 48-11-1815, 48-11-1820, 48-11-1828 and 48-11-1840 Li-Ion battery packs.

Li-Ion Battery Cat. No.	DC Volts	Charge Time
48-11-1815	18	30-Min
48-11-1820	18	30-Min
48-11-1828	18	1-Hour
48-11-1840	18	1-Hour

SYMBOLOLOGY

V	Volts
---	Direct Current
~	Alternating Current
	Double Insulated
	Properly Recycle Batteries
Hz	Hertz
A	Amps
	Underwriters Laboratories, Inc. United States and Canada

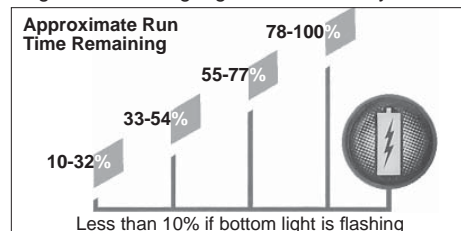
FUNCTIONAL DESCRIPTION



MILWAUKEE LITHIUM-ION BATTERY PACK OPERATION

Fuel Gauge

Use the Fuel Gauge to determine the battery pack's remaining run time. Press the Fuel Gauge button to display the lights. The Fuel Gauge will light up for 2-3 seconds. When less than 10% of charge is left, 1 light on the fuel gauge will flash slowly.



NOTE: If the Fuel Gauge doesn't appear to be working, place the battery pack on the charger and charge as needed.

Compared to NiCd battery pack types, MILWAUKEE Lithium-Ion battery packs deliver fade-free power for their entire run time. The tool will not experience a slow, gradual loss of power as you work. To signal the end of discharge, 1 light on the fuel gauge will flash quickly for 2-3 seconds and the tool will not run. Charge the battery pack.

NOTE: Immediately after using the battery pack, the Fuel Gauge may display a lower charge than it will if checked a few minutes later. The battery cells "recover" some of their charge after resting.

Battery Pack Protection

To protect itself from damage and extend its life, the battery pack's intelligent circuit monitors current draw and temperature. In extremely high torque, binding, stalling, and short circuit situations, the battery pack will turn OFF the tool if the current draw becomes too high. All the fuel gauge lights will flash. Release the trigger and restart.

Under extreme circumstances, the internal temperature of the battery could become too high. If this happens, the fuel gauge lights will flash in an alternating pattern and the tool will not run. Allow the battery to cool down.

Fuel Gauge Lights	Diagnosis	Solution
Lights 1 - 4 Solid	Remaining run time	Continue working
1 Light, flashing slowly	Less than 10% run time left	Prepare to charge pack
1 Light, flashing quickly	End of discharge	Charge pack
Lights 1-4, flashing quickly	Current draw too high	Release trigger and restart, reduce pressure
Lights 1&3 / 2&4, flashing alternately	Battery temperature too high	Release trigger and allow battery to cool

Cold Weather Operation

MILWAUKEE Lithium-Ion battery packs are designed to operate in temperatures below freezing. When the battery pack is too cold, it may need to warm up before normal use. Put the battery on a tool and use the tool in a light application. It may "buzz" for a short time until it warms up. When the buzzing stops, use the tool normally.

Maintenance and Storage

Do not expose your battery pack or cordless tools to water or rain, or allow them to get wet. This could damage the tool and battery pack. Do not use oil or solvents to clean or lubricate your battery pack. The plastic casing will become brittle and crack, causing a risk of injury.

Store battery packs at room temperature away from moisture. Do not store in damp locations where corrosion of terminals may occur. As with other battery pack types, permanent capacity loss can result if the pack is stored for long periods of time at high temperatures (over 120° F). MILWAUKEE Lithium-Ion battery packs maintain their charge during storage longer than other battery pack types. After about a year of storage, charge the pack as normal.

WARNING To reduce the risk of injury or explosion, never burn or incinerate a battery pack even if it is damaged, dead or completely discharged. When burned, toxic fumes and materials are created.

Disposing of MILWAUKEE Li-Ion Battery Packs

MILWAUKEE Lithium-Ion battery packs are more environmentally friendly than some other types of power tool battery packs (e.g., nickel-cadmium). Always dispose of your battery pack according to federal, state and local regulations. Contact a recycling agency in your area for recycling locations. Even discharged battery packs contain some energy. Before disposing, use electrical tape to cover the terminals to prevent the battery pack from shorting, which could cause a fire or explosion.

RBRC Battery Recycling Seals

The RBRC™ Battery Recycling Seals (see "Symbolology") on your tool battery packs indicate that MILWAUKEE has arranged for the recycling of that battery pack with the Rechargeable Battery Recycling Corporation (RBRC). At the end of your battery pack's useful life, return the battery pack to a MILWAUKEE Branch Office/Service Center or the participating retailer nearest you. For more information, visit the RBRC web site at www.rbrc.org.

CHARGER OPERATION

⚠ WARNING Charge only **MILWAUKEE** Lithium-Ion battery packs in the **MILWAUKEE** Li-Ion Battery Charger. Other types of batteries may cause personal injury and damage. Battery pack and charger are not compatible with V™-technology or NiCd systems.

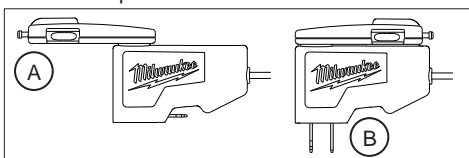
To reduce the risk of electric shock, do not allow water to flow into AC/DC plug.

AC/DC Charger (Cat. No. 2710-20)

To reduce the risk of damage to the charger, do not attempt to plug into both AC and DC outlets at the same time.

To use the AC/DC plug in a DC outlet, rotate the DC adapter out (A) and insert into a DC outlet. The AC plug blades should be folded in.

To use the AC/DC plug in an AC outlet, rotate the AC plug blades out (B) and insert into an AC outlet. The DC adapter should be folded in.



When to Charge MILWAUKEE Li-Ion Battery Packs

Remove the battery pack from the tool for charging when convenient for you and your job. **MILWAUKEE** battery packs do not develop a "memory" when charged after only a partial discharge. It is not necessary to run down the battery pack before placing it on the charger.

- Use the Fuel Gauge to determine when to charge your **MILWAUKEE** Li-Ion battery pack.
- You can "Top-Off" your battery pack's charge before starting a big job or long day of use.
- The only time it is necessary to charge the **MILWAUKEE** Lithium-Ion battery pack is when the pack has reached the end of its charge. To signal the end of charge, power to the tool will drop quickly, allowing you just enough power to finish making a cut, drilling a hole, or driving a fastener. Charge the battery pack as needed.

How to Charge the Battery Pack

Place the battery pack onto the bay by sliding the pack on from the top of the bay. The red light will turn on, either flashing (pack is too hot or cold) or continuous (pack is charging).

- A fully discharged pack with an internal temperature between 32°F and 104°F will charge in 30-Min or 1-Hour, depending on the battery pack.
- Heavily cycled battery packs may take longer to charge completely.
- The Fuel Gauge lights on the battery pack are displayed as the pack is being charged, indicating how fully charged the pack is.
- After charging is complete, the continuous green light will turn on and the fuel gauge will turn off.

- The charger will keep the battery pack fully charged if it is left on the charger.
- If the light indicator flashes red and green, check that the battery pack is fully seated into the bay. Remove the pack and reinsert. If the problem persists, contact a **MILWAUKEE** service facility.
- If the light indicator does not come on, check that the battery pack is fully seated into the bay. Remove the pack and reinsert. If the light indicator still does not come on, contact a **MILWAUKEE** service facility.

Charging a Hot or Cold Battery Pack

The Red flashing indicator light on the charger indicates that the battery pack temperature is outside the charging range. Once the pack is within the acceptable range, normal charging will take place and the red light will be continuous. Hot or cold battery packs may take longer to charge.

Li-Ion Charging Status		
Battery Pack Temperature	Red Charger Indicator Light	Charging Status
Too Hot	Flashing	Not charging
Normal Range	Continuous	Normal charging
Too Cold	Flashing	Not charging

Powering the Charger with an Inverter or Generator

The charger will operate with most generators and inverters rated at 300 Watts or higher.

Maintenance and Storage

Store your charger in a cool, dry place. As a general practice, it is best to unplug battery chargers and remove battery packs when not in use. No battery pack damage will occur, however, if the charger and battery pack are left plugged in.

⚠ WARNING To reduce the risk of injury, always unplug the charger and remove the battery pack from the charger before performing any maintenance. Never disassemble the battery pack or charger. Contact a **MILWAUKEE** service facility for ALL repairs.

To reduce the risk of injury and damage, never immerse your battery pack or charger in liquid or allow a liquid to flow inside them.

Cleaning

Clean out dust and debris from charger vents and electrical contacts by blowing with compressed air. Use only mild soap and a damp cloth to clean the battery pack and charger, keeping away from all electrical contacts. Certain cleaning agents and solvents are harmful to plastics and other insulated parts. Some of these include gasoline, turpentine, lacquer thinner, paint thinner, chlorinated cleaning solvents, ammonia and household detergents containing ammonia. Never use flammable or combustible solvents around battery packs, charger, or tools.

Repairs

The **MILWAUKEE** Li-Ion charger has no serviceable parts.

LIMITED WARRANTY - USA AND CANADA

Every **MILWAUKEE** Battery Pack (sold with cordless product and/or as a replacement battery pack) is warranted to the original purchaser only to be free from defects in material and workmanship. Subject to certain exceptions, **MILWAUKEE** will repair or replace a battery pack which, after examination, is determined by **MILWAUKEE** to be defective in material or workmanship for the stated warranty period from date of purchase. Return of the battery pack to a **MILWAUKEE** factory Service Center location or **MILWAUKEE** Authorized Service Station, freight prepaid and insured, is required. A copy of the proof of purchase should be included with the return product. This warranty does not apply to damage that **MILWAUKEE** determines to be from repairs made or attempted by anyone other than **MILWAUKEE** authorized personnel, misuse, alterations, abuse, normal wear and tear, lack of maintenance, or accidents.

Battery Pack Description	Chemistry	Warranty Period (from date of purchase)
M12™ XC REDLITHIUM™ M12™ XC REDLITHIUM™ 4.0 M18™ XC REDLITHIUM™ M18™ XC REDLITHIUM™ 4.0 M28™ XC LITHIUM-ION M28™ XC REDLITHIUM™	LITHIUM-ION	Three (3) Years
V4 LITHIUM-ION M12™ Compact LITHIUM-ION M12™ Compact REDLITHIUM™ M12™ Compact REDLITHIUM™ 2.0 M12™ XC LITHIUM-ION M18™ Compact LITHIUM-ION M18™ Compact REDLITHIUM™ M18™ Compact REDLITHIUM™ 2.0	LITHIUM-ION	Two (2) Years
M18™ LITHIUM-ION V18™ V™-technology LITHIUM-ION Serial number prefix "A95" V28™ V™-technology LITHIUM-ION	LITHIUM-ION	Two (2) Years – plus, Three (3) Years Pro-Rata (prorated)*
Ni-Cd, Ni-Cd Super-Tough, Ni-Cd Power-Plus, Ni-MH, V18™ V™-technology LITHIUM-ION Serial number prefix "E95"	Ni-Cd / Nickel-Cadmium, Ni-MH / Nickel-Metal-Hydride LITHIUM-ION	One (1) Year

The warranty period for all Ni-CD and Ni-MH Battery Packs is one (1) year from the date of purchase. The warranty period for V4 Lithium-Ion, M12™ Compact Lithium-Ion, M12™ Compact REDLITHIUM™, M12™ XC LITHIUM-ION, M18™ Compact LITHIUM-ION and M18™ Compact REDLITHIUM™ Battery Packs is two (2) years from the date of purchase. The warranty period for M12™ XC REDLITHIUM™, M18™ XC REDLITHIUM™, M28™ XC REDLITHIUM™ and M28™ XC LITHIUM-ION Battery Packs is three (3) years from the date of purchase. *The warranty period for every **MILWAUKEE** V™-technology V28™ LITHIUM-ION Battery Pack, M18™ XC HIGH CAPACITY LITHIUM-ION Battery Pack, and V™-technology V18™ LITHIUM-ION Battery Pack (with the serial number prefix "A95") is five (5) years / 2000 charges from the date of purchase, whichever first occurs. The first 1000 charges or 2 years of the warranty, whichever first occurs, are covered through free replacement of the defective battery. This means that for the earlier of the first 1000 charges or two (2) years from the date of purchase/first charge, a replacement battery will be provided to the customer for any defective battery free of charge. Thereafter, the remaining charges up to a total of 2000 or the remainder of the five (5) year period from the date of purchase, whichever first occurs, will be covered on a pro rata basis. This means that every customer gets an additional 1000 charges or three (3) years of pro rata warranty on the V™-technology V28™ LITHIUM-ION Battery Pack, M18™ XC LITHIUM-ION Battery Pack, and V™-technology V18™ LITHIUM-ION Battery Pack (with the serial number prefix "A95") depending upon the amount of use. The warranty period for V™-technology V18™ LITHIUM-ION Battery Pack (with the serial number prefix "E95") is one (1) year. Warranty Registration is not necessary to obtain the applicable warranty on a **MILWAUKEE** battery pack. The manufacturing date of the product will be used to determine the warranty period if no proof of purchase is provided at the time warranty service is requested.

ACCEPTANCE OF THE EXCLUSIVE REPAIR AND REPLACEMENT REMEDIES DESCRIBED HEREIN IS A CONDITION OF THE CONTRACT FOR THE PURCHASE OF EVERY **MILWAUKEE** PRODUCT. IF YOU DO NOT AGREE TO THIS CONDITION, YOU SHOULD NOT PURCHASE THE PRODUCT. IN NO EVENT SHALL **MILWAUKEE** BE LIABLE FOR ANY INCIDENTAL, SPECIAL, CONSEQUENTIAL OR PUNITIVE DAMAGES, OR FOR ANY COSTS, ATTORNEY FEES, EXPENSES, LOSSES OR DELAYS ALLEGED TO BE AS A CONSEQUENCE OF ANY DAMAGE TO, FAILURE OF, OR DEFECT IN ANY PRODUCT INCLUDING, BUT NOT LIMITED TO, ANY CLAIMS FOR LOSS OF PROFITS. SOME STATES DO NOT ALLOW THE EXCLUSION OR LIMITATION OF INCIDENTAL OR CONSEQUENTIAL DAMAGES, SO THE ABOVE LIMITATION OR EXCLUSION MAY NOT APPLY TO YOU. THIS WARRANTY IS EXCLUSIVE AND IN LIEU OF ALL OTHER EXPRESS WARRANTIES, WRITTEN OR ORAL. TO THE EXTENT PERMITTED BY LAW, **MILWAUKEE** DISCLAIMS ANY IMPLIED WARRANTIES, INCLUDING WITHOUT LIMITATION ANY IMPLIED WARRANTY OF MERCHANTABILITY OR FITNESS FOR A PARTICULAR USE OR PURPOSE; TO THE EXTENT SUCH DISCLAIMER IS NOT PERMITTED BY LAW, SUCH IMPLIED WARRANTIES ARE LIMITED TO THE DURATION OF THE APPLICABLE EXPRESS WARRANTY AS DESCRIBED ABOVE. SOME STATES DO NOT ALLOW LIMITATIONS ON HOW LONG AN IMPLIED WARRANTY LASTS, SO THE ABOVE LIMITATION MAY NOT APPLY TO YOU. THIS WARRANTY GIVES YOU SPECIFIC LEGAL RIGHTS, AND YOU MAY ALSO HAVE OTHER RIGHTS WHICH VARY FROM STATE TO STATE.

This warranty applies to product sold in the U.S.A. and Canada only.

Please consult the 'Service Center Search' in the Parts & Service section of **MILWAUKEE**'s website www.milwaukeetool.com or call 1.800.SAWDUST (1.800.729.3878) to locate your nearest service facility for warranty and non-warranty service on a **MILWAUKEE** Cordless Battery Pack.

LIMITED WARRANTY - USA AND CANADA

Every *MILWAUKEE* power tool (including cordless product – tool, battery pack(s) - see separate & distinct *CORDLESS BATTERY PACK LIMITED WARRANTY* statements & battery charger and Work Lights*) is warranted to the original purchaser only to be free from defects in material and workmanship. Subject to certain exceptions, *MILWAUKEE* will repair or replace any part on an electric power tool which, after examination, is determined by *MILWAUKEE* to be defective in material or workmanship for a period of five (5) years* after the date of purchase unless otherwise noted. Return of the power tool to a *MILWAUKEE* factory Service Center location or *MILWAUKEE* Authorized Service Station, freight prepaid and insured, is required. A copy of the proof of purchase should be included with the return product. This warranty does not apply to damage that *MILWAUKEE* determines to be from repairs made or attempted by anyone other than *MILWAUKEE* authorized personnel, misuse, alterations, abuse, normal wear and tear, lack of maintenance, or accidents.

*The warranty period for, Job Site Radios, M12™ Power Port, M18™ Power Source, and Trade Titan™ Industrial Work Carts is one (1) year from the date of purchase. The warranty period for a LED Work Light and LED Upgrade Bulb is a limited LIFETIME warranty to the original purchaser only, if during normal use the LED bulb fails the Work Light or Upgrade Bulb will be replaced free of charge.

*This warranty does not cover Air Nailers & Stapler, Airless Paint Sprayer, Cordless Battery Packs, Gasoline Driven Portable Power Generators, Hand Tools, Hoist – Electric, Lever & Hand Chain, M12™ Heated Jackets, Reconditioned product and Test & Measurement products. There are separate and distinct warranties available for these products.

Warranty Registration is not necessary to obtain the applicable warranty on a *MILWAUKEE* power tool product. The manufacturing date of the product will be used to determine the warranty period if no proof of purchase is provided at the time warranty service is requested.

ACCEPTANCE OF THE EXCLUSIVE REPAIR AND REPLACEMENT REMEDIES DESCRIBED HEREIN IS A CONDITION OF THE CONTRACT FOR THE PURCHASE OF EVERY *MILWAUKEE* PRODUCT. IF YOU DO NOT AGREE TO THIS CONDITION, YOU SHOULD NOT PURCHASE THE PRODUCT. IN NO EVENT SHALL *MILWAUKEE* BE LIABLE FOR ANY INCIDENTAL, SPECIAL, CONSEQUENTIAL OR PUNITIVE DAMAGES, OR FOR ANY COSTS, ATTORNEY FEES, EXPENSES, LOSSES OR DELAYS ALLEGED TO BE AS A CONSEQUENCE OF ANY DAMAGE TO, FAILURE OF, OR DEFECT IN ANY PRODUCT INCLUDING, BUT NOT LIMITED TO, ANY CLAIMS FOR LOSS OF PROFITS. SOME STATES DO NOT ALLOW THE EXCLUSION OR LIMITATION OF INCIDENTAL OR CONSEQUENTIAL DAMAGES, SO THE ABOVE LIMITATION OR EXCLUSION MAY NOT APPLY TO YOU. THIS WARRANTY IS EXCLUSIVE AND IN LIEU OF ALL OTHER EXPRESS WARRANTIES, WRITTEN OR ORAL. TO THE EXTENT PERMITTED BY LAW, *MILWAUKEE* DISCLAIMS ANY IMPLIED WARRANTIES, INCLUDING WITHOUT LIMITATION ANY IMPLIED WARRANTY OF MERCHANTABILITY OR FITNESS FOR A PARTICULAR USE OR PURPOSE; TO THE EXTENT SUCH DISCLAIMER IS NOT PERMITTED BY LAW, SUCH IMPLIED WARRANTIES ARE LIMITED TO THE DURATION OF THE APPLICABLE EXPRESS WARRANTY AS DESCRIBED ABOVE. SOME STATES DO NOT ALLOW LIMITATIONS ON HOW LONG AN IMPLIED WARRANTY LASTS, SO THE ABOVE LIMITATION MAY NOT APPLY TO YOU. THIS WARRANTY GIVES YOU SPECIFIC LEGAL RIGHTS, AND YOU MAY ALSO HAVE OTHER RIGHTS WHICH VARY FROM STATE TO STATE. This warranty applies to product sold in the U.S.A. and Canada only.

Please consult the 'Service Center Search' in the Parts & Service section of *MILWAUKEE*'s website www.milwaukee.com or call **1.800.SAWDUST (1.800.729.3878)** to locate your nearest service facility for warranty and non-warranty service on a Milwaukee electric power tool.

LIMITED WARRANTY - MEXICO, CENTRAL AMERICA AND CARIBBEAN

TECHTRONIC INDUSTRIES' warranty is for 5 year since the original purchase date. This warranty card covers any defect in material and workmanship on this Power Tool. To make this warranty valid, present this warranty card, sealed/stamped by the distributor or store where you purchased the product, to the Authorized Service Center (ASC). Or, if this card has not been sealed/stamped, present the original proof of purchase to the ASC. Call toll-free 1 800 832 1949 to find the nearest ASC, for service, parts, accessories or components.

Procedure to make this warranty valid

Take the product to the ASC, along with the warranty card sealed/stamped by the distributor or store where you purchased the product, and there any faulty piece or component will be replaced without cost for you. We will cover all freight costs relative with this warranty process.

Exceptions

This warranty is not valid in the following situations:

- When the product is used in a different manners from the end-user guide or instruction manual.
- When the conditions of use are not normal.
- When the product was modified or repaired by people not authorized by TECHTRONIC INDUSTRIES.

Note: If cord set is damaged, it should be replaced by an Authorized Service Center to avoid electric risks.

Model: _____

Date of Purchase: _____

Distributor or Store Stamp: _____

SERVICE AND ATTENTION CENTER
Rafael Buelna No.1.
Col. Tezozomoc Mexico, Azcapotzalco D.F.
Ph. 01 800 832 1949

IMPORTED AND COMMERCIALIZED BY:
TECHTRONIC INDUSTRIES MEXICO, S.A. DE C.V.
Av. Santa Fe 481 piso 6, Col. Curz Manca.
CP 05349, Cuajimalpa, D.F.

RÈGLES GÉNÉRALES DE SÉCURITÉ

⚠ AVERTISSEMENT LIRE ET COMPRENDRE TOUTES LES INSTRUCTIONS.
Le non-respect des instructions ci-après peut entraîner des chocs électriques, des incendies et/ou des blessures graves.

CONSERVER CES INSTRUCTIONS

- CONSERVER CES INSTRUCTIONS - CE MANUEL DE L'OPÉRATEUR CONTIENT DES INSTRUCTIONS IMPORTANTES EN MATIÈRE DE SÉCURITÉ ET DE FONCTIONNEMENT POUR LE BLOC DE PILES AU LITHIUM-ION 18V MILWAUKEE ET LEURS CHARGEURS AU LITHIUM-ION MILWAUKEE.**
- AVANT D'UTILISER LE BLOC DE PILES ET LE CHARGEUR, LIRE CE MANUEL DE L'OPÉRATEUR, LE MANUEL DE L'OPÉRATEUR DE L'OUTIL ET TOUTES LES ÉTIQUETTES DU BLOC DE PILES, DU CHARGEUR ET DE L'OUTIL.**
- MISE EN GARDE! POUR MINIMISER LES RISQUES DE BLESSURES CORPORELLES, SEULE LE BLOC DE PILES AU LI-ION MILWAUKEE DOIT ÊTRE RECHARGÉ AVEC CHARGEUR AU LI-ION.** D'autres types de chargeurs peuvent causer des blessures ou des dommages. Le bloc de piles et le chargeur ne sont pas compatibles avec les systèmes NiCd ou de technologie V™. Ne pas relier un bloc de piles à une prise d'alimentation électrique ou à un allume-cigare de voiture pour ne pas désactiver ou endommager de façon permanente le bloc de piles.
- UTILISER UNIQUEMENT LES BLOCS AU LITHIUM-ION DE MILWAUKEE SUR DES OUTILS COMPATIBLES AU LITHIUM-ION DE MILWAUKEE.** Le bloc de piles et le chargeur ne sont pas compatibles avec les systèmes NiCd ou de technologie V™. Une utilisation avec d'autres outils peut causer des risques d'incendie, de chocs électriques et de blessures.
- ÉVITEZ LES ENVIRONNEMENTS À RISQUES. N'UTILISEZ PAS LE CHARGEUR SOUS LA PLUIE, la neige ou dans les endroits humides ou mouillés.** Ne vous servez pas du chargeur ou du bloc de piles en milieux explosifs (émanations de gaz, poussière ou substances inflammables), car il pourrait se produire des étincelles, lors de l'insertion du bloc de piles dans le chargeur ou lors de son retrait, créant un risque d'incendie.
- RECHARGEZ DANS UN ENDROIT BIEN VENTILÉ.** Ne laissez pas les événements du chargeur se bloquer et assurez-vous qu'ils sont bien ventilés. N'effectuez pas une recharge du bloc de piles à proximité d'une flamme vive ou fumante, afin d'éviter l'explosion des décharges de gaz.
- ENTRETENEZ LE CORDON DU CHARGEUR.** Pour débrancher le chargeur, tirez sur la fiche plutôt que sur le cordon. Ceci minimisera les risques d'endommager la fiche ou le cordon. Ne transportez jamais le chargeur en le tenant par le cordon. Préservez le cordon de la chaleur, des

surfaces graisseuses et des arêtes tranchantes. Assurez-vous que l'on ne marche ni ne trébuche sur le cordon et qu'il ne soit pas étiré ou mal utilisé. Ne vous servez pas du chargeur si le cordon ou la fiche sont en mauvais état. Faites immédiatement remplacer le chargeur.

- N'UTILISEZ PAS DE RALLONGE À MOINS QUE CE NE SOIT ABSOLUMENT INDISPENSABLE.** L'utilisation d'une rallonge inadaptée, endommagée ou d'un câblage de mauvais calibre peut constituer un risque d'incendie ou de choc électrique. Si vous devez utiliser une rallonge, branchez le chargeur dans un cordon de rallonge de calibre 16 ou plus, possédant des broches dont la quantité, la taille et la forme sont équivalentes à celles du chargeur. Assurez-vous que la rallonge est en bon état.
- LE CHARGEUR 48-59-1801 FONCTIONNE SUR 120 VOLTS C.A. SEULEMENT. LE CHARGEUR 2710-20 EST CONÇU POUR UNE UTILISATION À 12 V C.C. ET À 120 V C.A.** Il doit être branché sur une prise appropriée.
- N'UTILISEZ QUE LES ACCESSOIRES RECOMMANDÉS.** L'utilisation d'un accessoire qui n'est ni recommandé, ni vendu par le fabricant peut constituer un risque d'incendie, de choc électrique ou de blessure.
- DÉBRANCHEZ LE CHARGEUR** et enlevez le bloc de piles lorsqu'il ne sert pas.
- POUR RÉDUIRE LE RISQUE DE CHOC ÉLECTRIQUE, débranchez toujours le chargeur avant le nettoyage ou l'entretien et ne vous contentez pas uniquement de placer les commandes sur arrêt.** Ne pas laisser l'eau s'infiltrer dans la fiche c.a./c.c. Utilisez un disjoncteur différentiel pour réduire les risques de choc électrique.
- NE PAS BRÛLER OU INCINÉRER LE BLOC DE PILES.** Le bloc de piles peuvent exploser et causer des blessures ou des dommages. Des gaz et des matériaux toxiques sont créés lorsque le bloc de piles au lithium-ion sont brûlés.
- NE PAS ÉCRASER, LAISSER TOMBER OU ENDOMMAGER** le bloc de piles. Ne pas utiliser un bloc de piles ou un chargeur qui ont reçu choc important, qui sont tombés, ont été écrasés ou endommagés de quelle que façon que ce soit (par exemple percés par une pointe, heurtés par un marteau, piétinés).
- NE PAS DÉMONTER.** Un remontage incorrect peut causer des risques de chocs électriques, d'incendies ou d'exposition des produits chimiques du bloc de piles. Si elle est endommagée, l'apporter à un centre d'entretien *MILWAUKEE*.

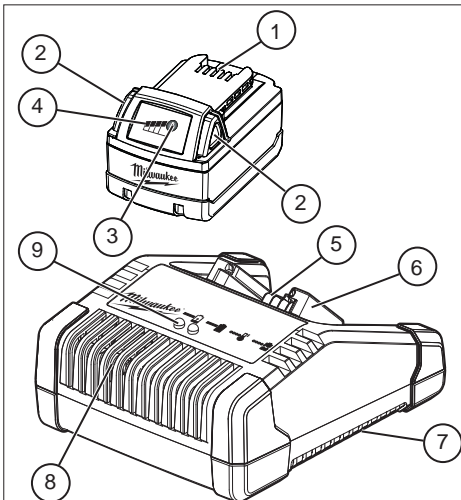
16. LE LIQUIDE DU BLOC DE PILES PEUT CAUSER DES BRÛLURES CHIMIQUES GRAVES. Ne permettez jamais que le liquide du bloc de piles ne vienne en contact avec la peau ou les yeux. Si du liquide s'écoule d'un bloc de piles, mettez des gants de caoutchouc ou de néoprène pour disposer du liquide. Si la peau vient en contact avec le liquide, lavez-la à l'eau savonneuse et rincez-la ensuite au vinaigre. Enlevez les vêtements souillés et disposez-en. Si les yeux sont affectés, arrosez-les immédiatement avec de l'eau en abondance pendant 20 minutes et demandez l'aide d'un médecin.

17. ATTENTION AUX COURTS-CIRCUITS! Il se produira un court-circuit si un objet métallique établit le contact entre les bornes positive et négative du bloc de piles. Ne placez pas le bloc de piles près d'objets qui pourraient causer un court-circuit, les pièces de monnaie ou les clés contenues dans votre poche, par exemple. Si un court-circuit se produit dans le bloc de piles, il pourra en résulter un risque d'incendie ou de blessures corporelles.

18. RANGEZ LE BLOC DE PILES ET LE CHARGEUR dans un endroit sec et frais. Ne rangez pas le bloc de piles dans un endroit où la température pourrait dépasser 50°C (120°F), comme par exemple un véhicule ou une structure métallique en été.

LIRE ET CONSERVER TOUTES LES INSTRUCTIONS POUR RÉFÉRENCE FUTURE.

DESCRIPTION FONCTIONNELLE



1. Contacts
2. Boutons de libération
3. Languette de l'indicateur de niveau d'énergie
4. Indicateur de niveau d'énergie
5. Contacts électriques
6. Baie
7. Numéro de série (sur la partie inférieure)
8. Événements
9. Témoin lumineux - quand un bloc de piles est inséré dans le chargeur, le témoin indique les situations suivantes:



Rouge continue: En cours de chargement



Verte continue: Chargement terminé



Rouge clignotante: Le bloc de piles est trop chaude ou trop froide - Le chargement commencera automatiquement quand le bloc de piles atteindra la température de charge correcte



Rouge et verte clignotante: Le bloc de piles endommagée ou défectueuse

SPÉCIFICATIONS

Chargeur * No de Cat.	Alimentation en V c.a.	Alimentation en A c.a.	Alimentation en V c.c.	Alimentation en A c.c.	Sortie en V c.c.	Sortie en A c.c.
48-59-1801	120	2,1	--	--	18	3,1
2710-20	120	2,1	12	6,5	18	3,1

Bloc de Piles au Li-Ion No de Cat.	Volts c.c.	Charge
48-11-1815	18	30-Min
48-11-1820	18	30-Min
48-11-1828	18	1-Hour
48-11-1840	18	1-Hour

* Charge les blocs du bloc de piles au lithium-ion 48-11-1815, 48-11-1820, 48-11-1828 et 48-11-1840 de MILWAUKEE.

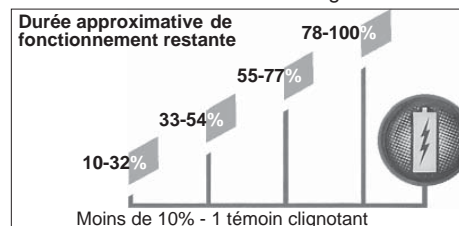
PICTOGRAPHIE

V	Volts
---	courant continu
~	courant alternatif
□	Double Isolation
	Recyclage correct des batteries
Hz	Fréquence
A	Ampères
	Underwriters Laboratories, Inc. États-Unis et Canada

FONCTIONNEMENT DU BLOC DE PILES AU LITHIUM-ION

Indicateur de charge de la pile

Utiliser l'indicateur de charge de la pile pour déterminer l'autonomie restante du bloc de piles. Appuyer sur le bouton de l'indicateur de charge de la pile pour afficher les témoins. L'indicateur de charge de la pile s'allume pendant 2 à 3 secondes. Un témoin sur l'indicateur de charge de la pile clignotera lentement s'il reste moins de 10 % de la charge.



NOTE : Si l'indicateur de charge de la pile ne semble pas fonctionner, placer le bloc de piles sur le chargeur et le charger, au besoin.

Contrairement aux blocs de piles au nickel-cadmium, les blocs-piles au lithium-ion MILWAUKEE offrent une puissance constante tout au long de leur durée d'utilisation. L'outil ne montrera aucune perte de puissance lente et graduelle pendant le travail. Un témoin sur l'indicateur de charge de la pile clignotera rapidement pendant 2 à 3 secondes si la pile est vide; l'outil cessera de fonctionner. Charger le bloc de piles.

NOTE : Immédiatement après utilisation du bloc de piles, l'indicateur de charge de la pile peut afficher une charge inférieure qu'il ne le ferait quelques minutes plus tard. Les éléments de la pile « récupèrent » une partie de leur charge après une période de repos.

Protection du bloc de piles

Pour protéger le bloc de piles et prolonger sa durée de vie, le circuit intelligent du bloc de piles surveille les appels de courant et la température. En cas de couple extrêmement élevé, de coincement, de calage et de courts-circuits, le bloc de piles mettra l'outil HORS TENSION si l'appel de courant est trop élevé. Tous les témoins de l'indicateur de charge de la pile clignoteront. Relâcher la gâchette et redémarrer l'outil.

Dans des conditions extrêmes, la température interne de la pile peut devenir excessive. Si cela se produit, les témoins de l'indicateur de charge de la pile clignoteront en alternance et l'outil cessera de fonctionner. Laisser la pile refroidir.

Témoins de l'indicateur de charge de la pile	Diagnostic	Solution
Témoins 1 à 4 – allumés	Autonomie restante	Poursuivre le travail
1 témoin – clignote lentement	Moins de 10 % d'autonomie restante	Se préparer à charger le bloc de piles
1 témoin – clignote rapidement	Fin de la décharge	Charger le bloc de piles
Témoins 1 à 4 – clignotent rapidement	Appel de courant trop élevé	Relâcher la gâchette et redémarrer, réduire la pression
Témoins 1 et 3 ou 2 et 4 – clignotent en alternance	Température de la pile trop élevée	Relâcher la gâchette et laisser la pile refroidir

Fonctionnement par temps froid

Le bloc de batteries au lithium-ion de MILWAUKEE sont conçus pour fonctionner à des températures inférieures au point de congélation. Lorsque le bloc des batteries est très froid, mettre le bloc des batteries sur l'outil et utiliser celui-ci pour une utilisation légère. Une alarme sonore peut se faire entendre pendant un court instant jusqu'à ce qu'il se réchauffe. Lorsque l'alarme s'arrête, utiliser l'outil normalement.

Entretien et remisage du bloc de piles

Ne pas exposer le bloc de piles ou les outils sans fils à l'eau ou à la pluie ou les laisser se mouiller. Ceci endommage l'outil et le bloc de piles. Ne pas utiliser d'huile ou de solvant pour nettoyer ou graisser le bloc de piles. Le boîtier en plastique peut se fendre ou se casser et créer un risque de blessures. Remiser les batteries à température ambiante et à l'abri de l'humidité. Ne pas les remiser dans des endroits humides où une corrosion des bornes peut avoir lieu. Comme avec les autres types du bloc de piles, une perte permanente de capacité peut être causée si le bloc de piles est remisé pendant une longue durée à de hautes températures (plus de 50°C (120°F)). Les batteries lithium-ion MILWAUKEE maintiennent leur charge lors du remisage plus longtemps que les autres types du bloc de piles. Après environ un an de remisage, charger normalement le bloc de piles.

Mise au rebut des batteries au lithium-ion

Les batteries au lithium-ion *MILWAUKEE* présentent moins de risques pour l'environnement que d'autres types du bloc de piles (nickel-cadmium par ex.). Éliminer les batteries conformément aux règlements fédéraux/nationaux, provinciaux/d'états et locaux. Contacter l'agence de recyclage locale pour l'adresse des centres de recyclage locaux. Les batteries déchargées contiennent du courant résiduel. Avant de mettre un bloc de piles au rebut, couvrir les bornes du bloc de piles avec du ruban isolant afin d'empêcher un court-circuit pouvant causer un incendie ou une explosion.

AVERTISSEMENT Afin de réduire le risque de blessure ou d'explosion, ne jamais brûler ou incinérer un bloc de piles même si elle est endommagée, morte ou complètement déchargée. La combustion d'une bloc de piles libère des fumées et des substances toxiques dans l'atmosphère.

Sceaux de recyclage pour pile RBRC

Les sceaux de recyclage pour piles RBRC™ (voir la « Pictographie ») sur la pile de votre outil, indiquent que *MILWAUKEE* a pris des dispositions avec Rechargeable Battery Recycling Corporation (RBRC) pour le recyclage de ce bloc de piles. Lorsque la vie utile de ce bloc de pile est épuisée, retournez-le à une succursale ou à un centre de service *MILWAUKEE*, ou au détaillant participant le plus près de chez vous. Pour obtenir plus d'informations, visitez le site Web RBRC au www.rbrc.org.

FONCTIONNEMENT DU CHARGEUR

AVERTISSEMENT Ne charger que des batteries au lithium-ion 18V *MILWAUKEE* dans le chargeur lithium-ion. D'autres types du bloc de piles peuvent causer des blessures ou des dommages. Le bloc de batteries et le chargeur ne sont pas compatibles avec les systèmes NiCd ou de technologie V™.

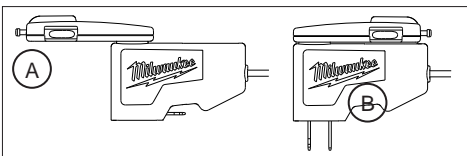
Pour réduire le risque de choc électrique, ne pas laisser l'eau s'infiltrer dans la fiche c.a./c.c.

Chargeur c.a./c.c. (No de cat. 2710-20)

Pour réduire le risque d'endommagement du chargeur, ne pas tenter de le brancher simultanément dans des prises c.a. et c.c.

Pour utiliser la fiche universelle dans une prise c.c., faire pivoter l'adaptateur c.c. vers l'extérieur (A) et l'insérer dans une prise c.c. Les broches de la fiche c.a. doivent être repliées.

Pour utiliser la fiche universelle dans une prise c.a., faire pivoter les broches de la fiche c.a. vers l'extérieur (B) et les insérer dans une prise c.a. L'adaptateur c.c. doit être replié.



Quand charger le bloc de piles au lithium-ion *MILWAUKEE*:

Retirer le bloc de piles de l'outil pour la charge quand cela est pratique pour l'utilisateur et le travail. Les batteries au lithium-ion *MILWAUKEE* ne développent pas de « mémoire » lorsqu'elles sont chargées uniquement après une décharge partielle. Il n'est pas nécessaire de décharger le bloc de piles avant de la mettre sur le chargeur.

- Utiliser l'indicateur de niveau d'énergie pour déterminer quand charger le bloc de piles lithium-ion *MILWAUKEE*.
- Il est possible de compléter la charge du bloc de piles avant de commencer un important travail ou une longue journée d'utilisation.
- Il n'est nécessaire de charger le bloc de piles au lithium-ion *MILWAUKEE* que lorsqu'elle a atteint la fin de sa charge. Pour signaler la fin de la charge, l'alimentation vers l'outil baisse rapidement, laissant à l'utilisateur juste assez de puissance pour terminer une coupe, percer un trou ou enfoncer un dispositif de fixation. Charger le bloc de piles selon le besoin.

Comment charger le bloc de piles

Placer le bloc de piles sur la baie en l'y glissant depuis le haut de la baie. Le témoin rouge s'allume, soit en clignotant (le bloc de piles est trop chaude ou trop froide) soit en continu (le bloc de piles est en cours de chargement).

- Selon le type de bloc-piles, il faut 30 minutes ou une heure pour charger un bloc-piles complètement déchargé dont la température interne se situe entre 0 °C et 40 °C.
- Les voyants de l'indicateur de charge du bloc de piles s'allument afin d'indiquer que le bloc de piles est en cours de charge; ils indiquent également l'état d'avancement de la charge.
- Une fois la charge complétée, le voyant vert continu s'allume et l'indicateur de charge s'éteint.
- Alors que le bloc de piles charge, les témoins de l'indicateur de niveau d'énergie du bloc de piles s'allument, indiquant le niveau de charge du bloc de piles.
- Le chargeur maintient le bloc de piles complètement chargée si elle est laissée dessus.
- Si le voyant clignote rouge et vert, vérifier que le bloc de piles est bien installée dans la baie. Retirer le bloc de piles puis la réinsérer. Si le problème persiste, contacter le service *MILWAUKEE*.
- Si le voyant clignote ne s'allume pas, vérifier que le bloc de piles est bien installée dans la baie. Retirer le bloc de piles et la réinsérer. Si le voyant ne s'allume toujours pas, contacter le service *MILWAUKEE*.

Chargement d'une bloc de piles chaude ou froide

Le témoin clignotant rouge du chargeur indique que la température de le bloc de piles est hors de la plage de charge. Une fois que le bloc de piles est dans la plage acceptable, une charge normale commence et le témoin rouge s'allume en continu. Des batteries froides ou chaudes peuvent nécessiter plus de temps pour se recharger.

État de charge au Lithium-ion		
Température du bloc de piles	Témoin rouge de l'indicateur du chargeur	État de charge
Trop chaude	Clignotant	Pas de charge
Température correcte	Continu	Charge normale
Trop froide	Clignotant	Pas de charge

Alimentation du chargeur avec un invertisseur ou un générateur

Le chargeur fonctionne avec la plupart des générateurs ou des invertisseurs qualifiés à 300 watts au minimum.

Entretien et remisage

Remiser le chargeur dans un lieu frais et sec. D'une manière générale, il est préférable de débrancher les chargeurs du bloc de piles et de retirer le bloc de piles quand elles ne sont pas utilisées. Il n'y a toutefois pas de risque de dommage si le chargeur et le bloc de piles sont laissés branchés.

AVERTISSEMENT Pour réduire le risque de blessure, toujours débrancher le chargeur et retirer le bloc de piles du chargeur avant d'effectuer un quelconque entretien. Ne jamais démonter le bloc de piles ou le chargeur. Contacter un centre d'entretien *MILWAUKEE* pour TOUTES les réparations. Pour réduire le risque de blessure ou de dommage, ne jamais plonger le bloc de piles ou le chargeur dans un liquide et ne jamais laisser de l'eau s'y infiltrer.

Nettoyage

Nettoyer la poussière et les débris des événements et des contacts électriques du chargeur à l'air comprimé. N'utiliser que du savon doux et un chiffon humide pour nettoyer le bloc de piles et le chargeur, en évitant les contacts électriques. Certains produits de nettoyage ou solvants sont nocifs pour les plastiques et les pièces isolées, notamment: essence, essence de térébenthine, diluant pour vernis, diluant pour peintures, solvant chloré, ammoniac et détergents ménagers contenant de l'ammoniac. Ne jamais utiliser de solvants inflammables ou combustibles à proximité des batteries, du chargeur ou des outils.

Réparations

Le chargeur ne comporte aucune pièce interne réparable. Pour les réparations du cordon, apporter le chargeur au centre d'entretien agréé le plus proche.

GARANTIE LIMITÉE - AUX ÉTATS-UNIS ET AU CANADA

Chaque outil électrique *MILWAUKEE* (y compris les produits sans fil [outils, piles, chargeur de piles, lampe de travail]; consulter les énoncés de la GARANTIE LIMITÉE DES BLOCS-PILES SANS FIL) est garanti à l'acheteur d'origine être exempt de vice de matériau et de fabrication. Sous réserve de certaines exceptions, *MILWAUKEE* réparera ou remplacera toute pièce d'un outil électrique qui, après examen par *MILWAUKEE*, s'est avérée être affectée d'un vice de matériau ou de fabrication pendant une période de cinq (5) ans* après la date d'achat, sauf indication contraire. Retourner l'outil électrique, à un centre de réparations en usine *MILWAUKEE* ou à un poste d'entretien agréé *MILWAUKEE*, en port prépayé et assuré. Une copie de la preuve d'achat doit être présentée au moment de retourner le produit. Cette garantie ne couvre pas les dommages que *MILWAUKEE* détermine être causés par des réparations ou des tentatives de réparation par quiconque autre que le personnel agréé par *MILWAUKEE*, des utilisations incorrectes, des altérations, des utilisations abusives, une usure normale, une carence d'entretien ou des accidents.

*La période de garantie applicable pour les radios de chantier, le port d'alimentation M12™, Source d'énergie M18™, et les chariots de travail industriels Trade Titan™ est d'une durée d'un (1) an à partir de la date d'achat. La période de la garantie couvrant la lampe de travail à DEL et l'ampoule améliorée à DEL est une garantie à vie limitée à l'acheteur d'origine seulement; si, lors d'une utilisation normale, l'ampoule à DEL présente une défectuosité, la lampe de travail et l'ampoule seront remplacées sans frais.

*Cette garantie ne s'applique pas aux cloueuses-agrafeuses pneumatiques, aux pulvérisateurs à peinture sans air, aux blocs piles pour outils sans fil, aux génératrices d'alimentation portatives à essence, aux outils à main, aux monte-charge – électrique, à levier et à chaîne (manuel), aux vestes chauffantes M12™, aux produits réusinés, ni aux produits d'essai et de mesure. Il existe des garanties distinctes pour ces produits.

L'enregistrement de la garantie n'est pas nécessaire pour bénéficier de la garantie en vigueur sur un outil électrique *MILWAUKEE*. La date de fabrication du produit servira à établir la période de garantie si aucune preuve d'achat n'est fournie lorsqu'une demande de service sous garantie est présentée.

L'ACCEPTATION DES RECOURS EXCLUSIFS DE RÉPARATION ET DE REMPLACEMENT DÉCRITS AUX PRÉSENTES EST UNE CONDITION DU CONTRAT D'ACHAT DE TOUT PRODUIT *MILWAUKEE*. SI VOUS N'ACCEPTÉZ PAS CETTE CONDITION, VOUS NE DEVEZ PAS ACHETER LE PRODUIT. EN AUCUN CAS *MILWAUKEE* NE SAURAIT ÊTRE RESPONSABLE DE TOUT DOMMAGE ACCESSOIRE, SPÉCIAL OU INDIRECT, DE DOMMAGES-INTÉRÊTS PUNITIFS OU DE TOUTE DÉPENSE, D'HONORAIRES D'AVOCATS, DE FRAIS, DE PERTE OU DE DÉLAIS ACCESSOIRES À TOUT DOMMAGE, DÉFAILLANCE OU DÉFAUT DE TOUT PRODUIT, Y COMPRIS NOTAMMENT LES PERTES DE PROFIT. CERTAINS ÉTATS ET PROVINCES NE PERMETTANT PAS L'EXCLUSION OU LA LIMITATION DES DOMMAGES DIRECTS OU INDIRECTS, LES RESTRICTIONS CI-DESSUS PEUVENT NE PAS ÊTRE APPLICABLES. CETTE GARANTIE EST EXCLUSIVE ET REMPLACE TOUTE AUTRE GARANTIE EXPRESSE, QU'ELLE SOIT ORALE OU ÉCRITE. DANS LA MESURE PERMISE PAR LA LOI, *MILWAUKEE* RENONCE À TOUTE GARANTIE IMPLICITE, Y COMPRIS, SANS S'Y LIMITER, TOUTE GARANTIE IMPLICITE DE QUALITÉ MARCHANDE OU D'ADAPTATION À UNE UTILISATION OU À UNE FIN PARTICULIÈRE. DANS LA MESURE OU UNE TELLE STIPULATION D'EXONÉRATION N'EST PAS PERMISE PAR LA LOI, LA DURÉE DE CES GARANTIES IMPLICITES EST LIMITÉE À LA PÉRIODE APPLICABLE DE LA GARANTIE EXPRESSE, TEL QUE DÉCRIT PRÉCÉDEMMENT. CERTAINS ÉTATS ET PROVINCES NE PERMETTANT PAS DE LIMITATION DE DURÉE DES GARANTIES IMPLICITES, LES RESTRICTIONS CI-DESSUS PEUVENT NE PAS ÊTRE APPLICABLES. LA PRÉSENTE CONFÈRE À L'UTILISATEUR DES DROITS LÉGAUX PARTICULIERS; IL BÉNÉFICIE ÉGALEMENT D'AUTRES DROITS QUI VARIENT D'UN ÉTAT À L'AUTRE.

Cette garantie s'applique aux produits vendus aux États-Unis et au Canada uniquement.

Veillez consulter la rubrique Centre SAV *MILWAUKEE*, dans la section Pièces & Service du site Web de *MILWAUKEE*, à l'adresse www.milwaukeetool.com, ou composer le **1-800-SAWDUST (1-800-729-3878)** afin de trouver le centre de réparations en usine *MILWAUKEE* le plus près.

GARANTIE LIMITÉE – MEXIQUE, AMÉRIQUE CENTRALE ET CARAÏBES

TECHTRONIC INDUSTRIES® garantit le produit pendant cinq ans à partir de la date d'achat d'origine. Le présent bon de garantie couvre tous les vices de matériau et de fabrication que peut afficher cet outil électrique. Pour assurer la validité de la présente garantie, veuillez présenter le bon de commande, estampillé du sceau du distributeur ou du magasin où le produit a été acheté, au centre de réparations agréé. Si le bon de commande n'a pas été estampillé, veuillez fournir la preuve d'achat d'origine au centre de réparations agréé. Pour un entretien, des pièces, des accessoires ou d'autres composants, composer sans frais le 1-800-832-1949 afin d'obtenir les coordonnées du centre de réparations agréé le plus près.

Procédure pour assurer la validité de la garantie

Présenter le produit au centre de réparations agréé, accompagné du bon de commande estampillé du sceau du distributeur ou du magasin où le produit a été acheté. Toute pièce défectueuse ou tout composant défectueux sera remplacé sans frais. *Milwaukee* assume tous les frais de transport liés à ce processus de garantie.

Exceptions

La garantie ne s'applique pas dans les situations suivantes :

- Si le produit a été utilisé pour une fin autre que celle indiquée dans le guide de l'utilisateur final ou le manuel d'instructions.
- Si les conditions d'utilisations ne sont pas habituelles.
- Si le produit a été modifié ou réparé par une personne non autorisée par TECHTRONIC INDUSTRIES.

Note : Si le cordon électrique est endommagé, il doit être remplacé par un centre de réparations agréé pour éviter les risques d'électrocution.

CENTRE DE RÉPARATIONS ET DE SERVICE
Rafael Buelna No. 1.
Col. Tezozomoc Mexico, Azcapotzalco D.F.
Ph. 01 800 832 1949

IMPORTÉ ET COMMERCIALISÉ PAR :
TECHTRONIC INDUSTRIES MEXICO, .S.A. DE C.V.
Av. Santa Fe 481 piso 6, Col. Curz Manca.
CP 05349, Cuajimalpa, D.F.

GARANTIE LIMITÉE - AUX ÉTATS-UNIS ET AU CANADA

Chaque bloc-piles *MILWAUKEE* (vendu avec les produits sans fil et/ou en guise de bloc-piles de remplacement) est garanti à l'acheteur d'origine exclusivement être exempt de vice de matériau et de fabrication. Sous réserve de certaines exceptions, *MILWAUKEE* réparera ou remplacera un bloc-piles qui, après examen, sera confirmé par *MILWAUKEE* être affecté d'un vice du matériau ou de fabrication pendant la période de garantie mentionnée après la date d'achat. Retourner le bloc piles à un centre de réparations en usine *MILWAUKEE* ou à un poste d'entretien agréé *MILWAUKEE*, en port prépayé et assuré. Une copie de la preuve d'achat devrait être jointe au produit retourné. Cette garantie ne couvre pas les dommages que *MILWAUKEE* détermine être causés par des réparations ou des tentatives de réparation par quiconque autre que le personnel agréé par *MILWAUKEE*, des utilisations incorrectes, des altérations, des utilisations abusives, une usure normale, une carence d'entretien ou des accidents.

Description du bloc-piles	Composition chimique	Période de la garantie (à compter de la date d'achat)
REDLITHIUM™ XC M12™, REDLITHIUM™ XC M12™ 4.0, REDLITHIUM™ XC M18™, REDLITHIUM™ XC M18™ 4.0, LITHIUM-ION XC M28™, REDLITHIUM™ XC M28™	LITHIUM-ION	Trois (3) ans
LITHIUM-ION V4, COMPACTE AU LITHIUM ION M12™, COMPACTE AU REDLITHIUM™ M12™, COMPACTE AU REDLITHIUM™ M12™ 2.0, LITHIUM-ION XC M12™, COMPACTE AU LITHIUM ION M18™, COMPACTE AU REDLITHIUM™ M18™, COMPACTE AU REDLITHIUM™ M18™ 2.0,	LITHIUM-ION	Deux (2) ans
LITHIUM-ION M18™, LITHIUM-ION technologie V™ V18™ (Préfixe « A95 » de numéro de série), LITHIUM-ION technologie V™ V28™	LITHIUM-ION	Deux (2) ans – garantie supplémentaire de proportionnalité Trois (3) ans*
Ni-Cd, Ni-Cd Super-Tough, Ni-Cd Power-Plus, Ni-MH, LITHIUM-ION technologie V™ V18™ (Préfixe « E95 » de numéro de série)	Ni-Cd/nickel-cadmium, Ni-MH/nickel-métal-hydrure, LITHIUM-ION	Un (1) an

La période de garantie pour les blocs-piles au Ni-CD et au Ni-MH est de un (1) an à compter de la date d'achat. La période de garantie pour les blocs-piles au LITHIUM-ION V4, COMPACTE AU LITHIUM ION M12™, COMPACTE AU REDLITHIUM™ M12™, LITHIUM-ION XC M12™, COMPACTE AU LITHIUM ION M18™, COMPACTE AU REDLITHIUM™ 2.0 M18™, et COMPACTE AU REDLITHIUM™ M18™ est de deux (2) ans à compter de la date d'achat. La période de garantie pour les blocs-piles REDLITHIUM™ XC M12™, REDLITHIUM™ XC M18™, REDLITHIUM™ XC 4.0 M18™, LITHIUM-ION XC M28™, et REDLITHIUM™ XC M28™ est de trois (3) ans à compter de la date d'achat. *Tous les blocs-piles *MILWAUKEE* au LITHIUM-ION technologie V™ V28™, au LITHIUM-ION XC M18™, et au LITHIUM-ION technologie V™ V18™ (Préfixe « A95 » de numéro de série) sont garantis pendant cinq (5) ans ou pour 2 000 charges, selon la première échéance à partir de la date d'achat. La garantie couvre le remplacement gratuit du bloc-piles si le bloc-piles d'origine est défectueux pendant les 1 000 premières charges ou les 2 premières années de la garantie, selon la première échéance, à partir de la date d'achat ou de la première charge. Par la suite, la garantie couvrira les charges restantes, jusqu'à concurrence de 2 000, ou les années restantes de la période de garantie de cinq (5) ans à partir de la date d'achat, selon la première échéance, au prorata. Cela signifie que chaque consommateur bénéficie de 1 000 charges supplémentaires ou d'une garantie supplémentaire de proportionnalité de trois (3) ans sur les blocs-piles au LITHIUM-ION technologie V™ V28™, au LITHIUM-ION technologie V™ V18™ (Préfixe « A95 » de numéro de série) et au LITHIUM-ION XC M18™ *MILWAUKEE*, selon la durée d'utilisation. La période de garantie pour les blocs-piles au LITHIUM-ION technologie V™ V18™ (Préfixe « E95 » de numéro de série) est de un (1) an.

L'enregistrement de la garantie n'est pas nécessaire pour bénéficier de la garantie en vigueur sur un outil électrique *MILWAUKEE*. La date de fabrication du produit servira à établir la période de garantie si aucune preuve d'achat n'est fournie lorsqu'une demande de service sous garantie est présentée.

L'ACCEPTATION DES RECOURS EXCLUSIFS DE RÉPARATION ET DE REMPLACEMENT DÉCRITS AUX PRÉSENTES EST UNE CONDITION DU CONTRAT D'ACHAT DE TOUT PRODUIT *MILWAUKEE*. SI VOUS N'ACCEPTÉZ PAS CETTE CONDITION, VOUS NE DEVEZ PAS ACHETER LE PRODUIT. EN AUCUN CAS *MILWAUKEE* NE SAURAIT ÊTRE RESPONSABLE DE TOUT DOMMAGE ACCESSOIRE, SPÉCIAL OU INDIRECT, DE DOMMAGES-INTÉRÊTS PUNITIFS OU DE TOUTE DÉPENSE, D'HONORAIRES D'AVOCATS, DE FRAIS, DE PERTE OU DE DÉLAIS ACCESSOIRES À TOUT DOMMAGE, DÉFAILLANCE OU DÉFAUT DE TOUT PRODUIT, Y COMPRIS NOTAMMENT LES PERTES DE PROFIT. CERTAINS ÉTATS ET PROVINCES NE PERMETTANT PAS L'EXCLUSION OU LA LIMITATION DES DOMMAGES DIRECTS OU INDIRECTS, LES RESTRICTIONS CI-DESSUS PEUVENT NE PAS ÊTRE APPLICABLES. CETTE GARANTIE EST EXCLUSIVE ET REMPLACE TOUTE AUTRE GARANTIE EXPRESSE, QU'ELLE SOIT ORALE OU ÉCRITE. DANS LA MESURE PERMISE PAR LA LOI, *MILWAUKEE* RENONCE À TOUTE GARANTIE IMPLICITE, Y COMPRIS, SANS S'Y LIMITER, TOUTE GARANTIE IMPLICITE DE QUALITÉ MARCHANDE OU D'ADAPTATION À UNE UTILISATION OU À UNE FIN PARTICULIÈRE. DANS LA MESURE OU UNE TELLE STIPULATION D'EXONÉRATION N'EST PAS PERMISE PAR LA LOI, LA DURÉE DE CES GARANTIES IMPLICITES EST LIMITÉE À LA PÉRIODE APPLICABLE DE LA GARANTIE EXPRESSE, TEL QUE DÉCRIT PRÉCÉDEMMENT. CERTAINS ÉTATS ET PROVINCES NE PERMETTANT PAS DE LIMITATION DE DURÉE DES GARANTIES IMPLICITES, LES RESTRICTIONS CI-DESSUS PEUVENT NE PAS ÊTRE APPLICABLES. LA PRÉSENTE CONFÈRE À L'UTILISATEUR DES DROITS LÉGAUX PARTICULIERS; IL BÉNÉFICIE ÉGALEMENT D'AUTRES DROITS QUI VARIENT D'UN ÉTAT À L'AUTRE.

Cette garantie s'applique aux produits vendus aux États-Unis et au Canada uniquement.

Veillez consulter la rubrique Centre SAV *MILWAUKEE*, dans la section Pièces & Service du site Web de *MILWAUKEE*, à l'adresse www.milwaukeetool.com, ou composer le **1-800-SAWDUST (1-800-729-3878)** afin de trouver le centre de réparations en usine *MILWAUKEE* le plus près.

REGLAS GENERALES DE SEGURIDAD

⚠️ ADVERTENCIA LEA Y COMPRENDA TODAS LAS INSTRUCCIONES.

Si no se siguen todas las instrucciones a continuación se puede provocar una descarga eléctrica, un incendio y/o lesiones personales graves.

GUARDE ESTAS INSTRUCCIONES

- 1. GUARDE ESTAS INSTRUCCIONES - ESTE MANUAL DEL OPERADOR CONTIENE IMPORTANTES INSTRUCCIONES DE SEGURIDAD Y FUNCIONAMIENTO PARA LAS BATERÍAS DE MILWAUKEE IONES DE LITIO 18 V Y EL CARGADOR MILWAUKEE IONES DE LITIO.**
- 2. ANTES DE USAR EL PAQUETE DE BATERÍA Y EL CARGADOR, LEA ESTE MANUAL DEL OPERADOR, EL MANUAL DEL OPERADOR DE LA HERRAMIENTA Y TODAS LAS ETIQUETAS EN EL PAQUETE DE BATERÍA, EL CARGADOR Y LA HERRAMIENTA.**
- 3. ADVERTENCIA! PARA REDUCIR EL RIESGO DE UNA LESIÓN, CARGUE SOLO BATERÍAS MILWAUKEE DE 18 VOLT DE IONES DE LITIO EN EL CARGADOR DE IONES DE LITIO.** Otros tipos de cargadores pueden ocasionar daños o lesiones personales. El cargador y el paquete de batería son incompatibles con la tecnología V™ y los sistemas NiCd. No conecte un paquete de batería a un enchufe de suministro de energía ni a un encendedor de cigarrillos de automóvil. Las baterías se dañarán o se descompondrán definitivamente.
- 4. UTILICE LAS BATERÍAS DE IONES DE LITIO DE MILWAUKEE EXCLUSIVAMENTE EN LAS HERRAMIENTAS MILWAUKEE COMPATIBLES CON IONES DE LITIO.** El cargador y el paquete de batería son incompatibles con la tecnología V™ y los sistemas NiCd. Su uso con otras herramientas puede provocar un incendio, una descarga eléctrica o lesiones personales.
- 5. EVITE AMBIENTES PELIGROSOS. NO USE EL CARGADOR CUANDO LLUEVA,** nieve o hay condiciones de alta humedad. Tampoco use el paquete de batería ni el cargador en presencia de una atmósfera explosiva (gases, polvos o materiales inflamables), ya que se puede generar una chispa cuando se inserta o se retira un paquete de batería, y se podría crear un fuego.
- 6. CARGUE SOLO EN AREAS BIEN VENTILADAS.** No obstruya las ventilas del cargador. Manténgalas limpias para permitir una ventilación adecuada. No permita que se fume o haya flamas cerca del paquete de batería ya que los gases pueden explotar.
- 7. CUIDE EL CABLE DEL CARGADOR.** Cuando desconecte el cargador, jale de la clavija y no del cable, con el objeto de reducir el daño al cable. Nunca tome el cargador del cable. Mantenga este lejos del calor, aceite y de orillas afiladas. Asegúrese que no pisen el cable ni que lo maltraten o lo hagan objeto de daños o tensión. No use un cargador que tenga el cable o la clavija dañado. Haga cambiar de inmediato

un cable que esté dañado, por uno idéntico (vea "Mantenimiento").

- 8. NO USE UN CABLE DE EXTENSION A MENOS QUE SEA ABSOLUTAMENTE NECESARIO.** El uso de un cable de extensión equivocado, dañado o incorrectamente cableado puede representar un riesgo de incendio o de descarga eléctrica. Si es necesario utilizar un cable de extensión, conecte el cargador a uno de calibre 16 o mayor, debidamente cableado y cuyos conductores sean iguales en número, tamaño y forma a los conductores en el cargador. Asegúrese de que el cable de extensión se halle en buenas condiciones eléctricas.
- 9. EL CARGADOR 48-59-1801 ESTA ESPECIFICADO PARA 120 VOLTS, CORRIENTE ALTERNA (CA) SOLAMENTE. EL CARGADOR 2710-20 TIENE UN VOLTAJE NOMINAL DE 12 V DE CC Y 120 V DE CA.** Deberá conectarse a un toma corriente adecuado.
- 10. USE ÚNICAMENTE LOS ACCESORIOS RECOMENDADOS.** El uso de un accesorio no recomendado ni vendido por el fabricante del cargador del paquete de batería puede representar un riesgo de incendio, de descarga eléctrica o de seguridad personal.
- 11. DESCONECTE EL CARGADOR** y quite el paquete de batería luego de una carga.
- 12. PARA DISMINUIR EL RIESGO DE SUFRIR UNA DESCARGA ELECTRICA,** desconecte siempre el cargador antes de limpiarlo o darle mantenimiento. La desactivación de la unidad por medio de los mandos no disminuye este riesgo. No permita que entre agua en el enchufe de CA/CC. Utilice un interruptor de circuito accionado por corriente de pérdida a tierra (GFCI) para disminuir el peligro de sufrir una descarga eléctrica.
- 13. NO QUEME NI INCINERE LAS BATERÍAS.** Las baterías pueden explotar, produciendo lesiones personales o daños.
- 14. NO APLASTE, DEJE CAER NI DAÑE EL PAQUETE DE BATERÍA.** No use un paquete de batería o cargador que ha sufrido un fuerte golpe, se ha caído, ha sido atropellado o se ha dañado de cualquier manera (por ejemplo, ha sido atravesado por un clavo, golpeado por un martillo, pisado).
- 15. NO LA DESMONTE.** Si se vuelve a montar de manera incorrecta se puede producir un riesgo de descarga eléctrica, incendio o exposición a los productos químicos del paquete de batería. Si está dañada, llévela a un centro de reparaciones MILWAUKEE.
- 16. LOS FLUIDOS DE LAS BATERIAS CAUSAN SERIAS QUEMADURAS.** Nunca permita que estén en contacto con los ojos o la piel. Si se

salen los fluidos de un paquete de batería dañada, use guantes de hule o de neopreno para desecharla. Si la piel queda expuesta a los fluidos del paquete de batería, lávese con jabón y agua y tállese con vinagre. Quitese y deshágase de la ropa contaminada. Si los ojos se ven afectados, de inmediato láveselos con agua corriente durante 15 minutos y luego busque atención médica.

17. NO HAGA CORTO CIRCUITO. Un paquete de batería entrará en corto circuito si un objeto de metal hace contacto entre los contactos

negativo y positivo del paquete de batería. No coloque un paquete de batería cerca de algo que pueda crear un corto circuito, como pueden ser monedas o llaves en la bolsa. Un paquete de batería en corto puede generar fuego o lesiones personales.

18. GUARDE SU BATERIA Y EL CARGADOR en un sitio fresco y seco. No guarde su paquete de batería en sitios donde la temperatura pueda exceder 50°C (120°F) como puede ser dentro de un vehículo o un edificio de metal durante el verano.

LEA Y CONSERVE TODAS LAS INSTRUCCIONES PARA CONSULTARLAS EN EL FUTURO.

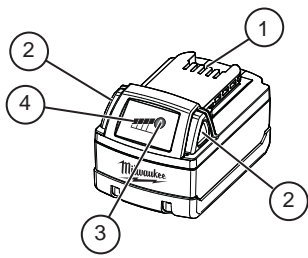
ESPECIFICACIONES

Cargador * Cat. No.	Entrada Volts de ca	Entrada Amperios de ca	Entrada Volts de cd	Entrada Amperios de cd	Salida Volts cd	Salida Amperios
48-59-1801	120	2,1	-	-	18	3,1
2710-20	120	2,1	12	6,5	18	3,1

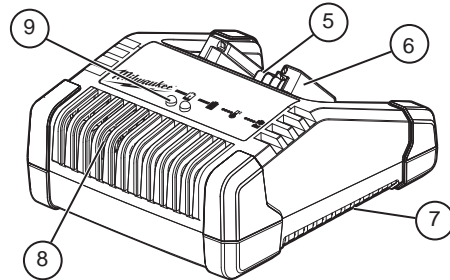
* Carga baterías de iones de litio MILWAUKEE 48-11-1815, 48-11-1820, 48-11-1828 y 48-11-1840.

Paquete de Batería de Iones de litio Cat. No.	Volts cd	Tiempo en cargarse
48-11-1815	18	30-Min
48-11-1820	18	30-Min
48-11-1828	18	1-Hora
48-11-1840	18	1-Hora

DESCRIPCIÓN FUNCIONAL



1. Contactos
2. Botones de liberación
3. Lengüeta del indicador de carga
4. Indicador de carga
5. Contactos eléctricos
6. Base
7. Número de serie (en la parte inferior)
8. Rejillas de ventilación



9. Indicador luminoso - cuando se inserta un paquete de batería en el cargador, la luz indicará las siguientes situaciones:
 - Roja continua: Cargando
 - Verde continua: La carga ha terminado
 - Roja intermitente: El paquete de batería está demasiado caliente o demasiado fría - La carga comenzará automáticamente cuando el paquete de batería alcance la temperatura de carga apropiada
 - Roja y verde intermitente: Paquete de batería dañada o defectuosa

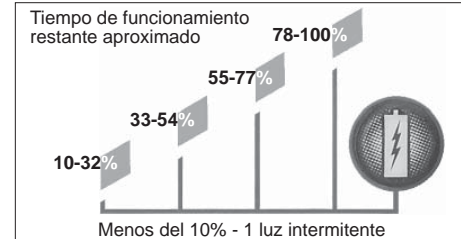
SYMBOLOLOGY

V	Volts
—	corriente continua
~	corriente alterna
	Con doble aislamiento
	Recicle las baterías de forma adecuada
Hz	Hertzios
A	Amperios
	Underwriters Laboratories, Inc. Estados Unidos y Canadá

FUNCIONAMIENTO DEL PAQUETE DE BATERÍA DE IONES DE LITIO

Indicador de carga

Use el indicador de carga para determinar el tiempo de funcionamiento restante del paquete de batería. Pulse el botón del indicador de carga para que se muestren las luces. El indicador de carga se encenderá durante 2 ó 3 segundos. Cuando quede menos del 10% de carga, una luz parpadeará lentamente en el indicador de carga.



NOTA: Si el Indicador de carga parece no estar funcionando, coloque el paquete de batería en el cargador y cárguela según sea necesario. Comparado con otros tipos de baterías NiCd, las baterías de iones de litio *MILWAUKEE* proporcionan una alimentación constante durante todo el tiempo de funcionamiento. La herramienta no sufrirá una lenta y gradual pérdida de potencia a medida que trabaja. Para indicar la finalización de la carga, una luz parpadeará rápidamente en el indicador de carga durante 2 ó 3 segundos y la herramienta no podrá encenderse. Cargue el paquete de batería.

NOTA: Inmediatamente después de usar el paquete de batería, es posible que el Indicador de carga muestre una carga inferior a la que aparecerá si se comprueba unos minutos más tarde. Después de reposar, las celdas del paquete de batería "recuperan" algo de su carga.

Protección del paquete de batería

Para protegerla de daños y extender su duración, el circuito inteligente del paquete de batería monitorea el consumo de corriente y la temperatura. En situaciones con una fuerza de torsión demasiado alta, agarrotamiento, paros y cortocircuitos, el paquete de batería APAGARÁ la herramienta si el consumo de corriente aumenta excesivamente. Las luces del indicador de carga comenzarán a parpadear. Suelte el gatillo y reinicie la herramienta. En situaciones extremas, es posible que la temperatura interna del paquete de batería aumente excesivamente. Si esto sucede, las luces del indicador de carga parpadearán de manera alternada y la herramienta no podrá encenderse. Deje que el paquete de batería se enfríe.

Luces del indicador de carga	Diagnóstico	Solución
Luces 1 a 4, continuas	Tiempo de funcionamiento restante	Continuar funcionando
1 luz de parpadeo lento	Menos del 10% de tiempo de funcionamiento restante	Preparar el paquete de batería para una carga
1 luz de parpadeo rápido	Se terminó de descargar	Cargar el paquete de batería
Luces 1 a 4, de parpadeo rápido	Consumo de corriente excesivo	Soltar el gatillo y reiniciar la herramienta, reducir la presión
Luces 1 y 3/ luces 2 y 4, de parpadeo alternado	Temperatura del paquete de batería muy elevada	Soltar el gatillo y dejar que el paquete de batería se enfríe

Funcionamiento en clima frío

El paquete de batería de iones de litio de *MILWAUKEE* están diseñados para funcionar en temperaturas bajo cero. Cuando el paquete de batería se encuentre muy fría, colóquela en una herramienta y utilice ésta en una tarea ligera. Es posible que "zumbe" por un breve período de tiempo hasta que se caliente. Una vez que el zumbido cese, utilice la herramienta de manera normal.

Mantenimiento y almacenamiento del paquete de batería

No exponga el paquete de batería ni las herramientas inalámbricas a agua o lluvia, ni deje que se mojen. Esto podría dañar el paquete de batería y la herramienta. No usar aceite ni disolventes para limpiar o lubricar el paquete de batería. Su cubierta de plástico se quebrará y agrietará, creando un riesgo de lesiones.

Almacene las baterías a temperatura ambiente lejos de humedad. No almacenarlas en lugares húmedos en los que los bornes se pueden corroer. Como con otros tipos de baterías, se puede producir una pérdida de capacidad permanente si el paquete de batería se almacena por largos períodos de tiempo a altas temperaturas (más de 50°C (120°F)). Durante el almacenamiento, las baterías de iones de litio de *MILWAUKEE* mantienen su carga más tiempo que otros tipos del paquete de batería. Después de unos años de almacenamiento, cargar el paquete de batería normalmente.

Desecho de baterías de iones de litio

Las baterías de iones de litio de *MILWAUKEE* son menos dañinas para el medioambiente que otros tipos de baterías para herramientas eléctricas (por ejemplo, níquel-cadmio). Siempre deseche su paquete de batería siguiendo las normas federales, estatales y locales. Póngase en contacto con la agencia de reciclaje en su área para averiguar dónde se pueden reciclar.

ADVERTENCIA Para reducir el riesgo de lesiones o explosión, nunca quemé ni incinere una batería incluso si está dañada, muerta o completamente descargada. Cuando se quema, se producen humos y materiales tóxicos.

Incluso las baterías descargadas contienen algo de energía. Antes de desecharlas, use cinta aislante para cubrir los terminales e impedir que el paquete de batería haga un cortocircuito que pudiera causar un incendio o una explosión.

Sellos de Reciclaje de Baterías RBRC

Los Sellos de Reciclaje de Baterías RBRC™ (véase "Simbología") en las baterías de su herramienta indican que *MILWAUKEE* ha hecho los arreglos pertinentes para reciclar dichas baterías con la *Rechargeable Battery Recycling Corporation* (Corporación de Reciclaje de Baterías Recargables, o RBRC por sus siglas en inglés). Al final de la vida útil de las baterías, devuelva éstas a la Oficina Principal/Centro de Servicio de *MILWAUKEE* o el distribuidor autorizado más cercano a usted. Si desea mayor información, visite el sitio web de BCR en www.rbrc.org.

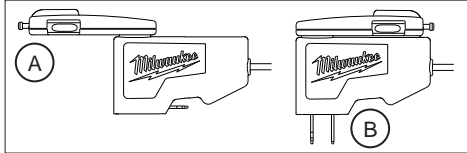
FUNCIONAMIENTO DEL CARGADOR

ADVERTENCIA Cargue solamente las baterías de *MILWAUKEE* iones de litio 18 V en el cargador *MILWAUKEE* iones de litio. Otros tipos de baterías pueden ocasionar lesiones personales y daños. El cargador y la batería son incompatibles con la tecnología V™ y los sistemas NiCd.

Para disminuir el riesgo de sufrir una descarga eléctrica, no permita que entre agua en el enchufe de CA/CC.

Cargador de CA/CC (Cat. No. 2710-20).

Para evitar los riesgos de daños al cargador, no intente enchufarlo en tomacorrientes de CA y de CC al mismo tiempo.



Para utilizar el cargador de CA/CC en un tomacorriente de CC, gire el adaptador para CC hacia afuera (A) y enchúfelo en un tomacorriente de CC. Las patitas del enchufe de CA deben estar plegadas hacia adentro.

Para utilizar el cargador de CA/CC en un tomacorriente de CA, despliegue las patitas del enchufe de CA (B) y enchúfelo en un tomacorriente de CA. El adaptador para CC debe estar plegado hacia adentro.

Cuándo cambiar el paquete de batería *MILWAUKEE* de iones de litio

Quite el paquete de batería de la herramienta para cargarla cuando le resulte conveniente a usted y a su trabajo. Las baterías de iones de litio *MILWAUKEE* no desarrollan una "memoria" cuando se cargan después de solamente una descarga parcial. No es necesario descargar completamente el paquete de batería antes de colocarla en el cargador.

- Use el indicador de carga para determinar cuándo necesita cargar el paquete de batería.
- Puede "cargar hasta el tope" el paquete de batería antes de comenzar una tarea importante o un día en el que se va a usar durante mucho tiempo.
- La única vez que es necesario cargar el paquete de batería de iones de litio *MILWAUKEE* es cuando el paquete de batería se ha descargado por completo. Para indicar el final de la carga, la energía a la herramienta descenderá rápidamente, proporcionándole justo la energía necesaria para terminar de realizar un corte, taladrar un agujero o introducir un afianzador. Cambie el paquete de batería según sea necesario.

Cómo cargar el paquete de batería

Coloque el paquete de batería sobre la base deslizándola desde la parte superior de la base. La luz roja se encenderá, bien intermitente (el paquete de batería está demasiado caliente o fría) o continua (el paquete de batería se está cargando).

- Una paquete de batería completamente descargada, cuya temperatura interna oscila entre 0 °C y 40 °C, se cargará en 30 minutos o en una hora, según el paquete de batería.
- A medida que se carga el paquete de batería, aparecen las luces del indicador de carga del paquete de batería, indicando cuán cargada está el paquete de batería.
- Después de terminar la carga, se encenderá la luz verde continua, y el indicador de carga se apagará.
- A medida que se carga el paquete de batería, aparecen las luces del indicador de carga del paquete de batería, indicando cuán cargada está el paquete de batería.
- El cargador mantendrá el paquete de batería completamente cargada si se deja en el cargador.
- Si la luz indicadora parpadea en rojo y verde, cerciórese de que el paquete de batería está bien asentada en el compartimiento. Extraiga el paquete de batería y reintrodúzcala. Si el problema persiste, póngase en contacto con un centro de servicio *MILWAUKEE*.
- Si la luz indicadora no se enciende, cerciórese de que el paquete de batería está bien asentada en el compartimiento. Extraiga el paquete de batería y reintrodúzcala. Si aún no se enciende la luz indicadora, póngase en contacto con un centro de servicio *MILWAUKEE*.

Carga de un paquete de batería caliente o fría

La luz indicadora intermitente roja del cargador indica que la temperatura del paquete de batería está fuera del rango de carga. Una vez que el paquete de batería está dentro del rango de carga aceptable, se producirá la carga normal y la luz roja será continua. Si está caliente o fría, el paquete de batería puede tardar más tiempo en cargarse.

Estado de carga de iones de litio		
Temperatura del paquete de batería	Luz indicadora roja del cargador	Estado de carga
Demasiado caliente	Intermitente	No está cargando
Temperatura apropiada	Continua	Carga normal
Demasiado fría	Intermitente	No está cargando

Suministro de energía al cargador con un inversor o un generador

El cargador funcionará con la mayoría de los generadores e inversores con una clasificación de 300 W o más.

Mantenimiento y almacenamiento

Almacene su cargador en un lugar frío y seco. Como norma general, es mejor desenchufar los cargadores de baterías y quitar las baterías cuando no se estén usando. No se dañará el paquete de batería si, sin embargo, se dejan enchufados el cargador y el paquete de batería.

ADVERTENCIA Para reducir el riesgo de lesiones, desenchufe siempre el cargador y quite la batería del mismo antes de realizar mantenimiento. Nunca desarme la batería ni el cargador. Póngase en contacto con un centro de reparaciones *MILWAUKEE* para TODAS las reparaciones. Para reducir el riesgo de lesiones y daños, nunca sumerja la batería o el cargador en un líquido ni permita que les entre líquido.

Limpeza

Limpiar el polvo y los residuos de las rejillas de ventilación del cargador y los contactos eléctricos con aire comprimido. Use solamente un jabón suave y un paño húmedo para limpiar el paquete de batería y el cargador, manteniéndolos alejados de todos los contactos eléctricos. Ciertos agentes limpiadores y disolventes son perjudiciales para los plásticos y para otras piezas aisladas. Algunos de estos son la gasolina, turpentina, tiner, soluciones limpiadoras con cloro, amoníaco y detergentes caseros que contengan amoníaco. Nunca use disolventes inflamables o combustibles alrededor de las baterías, el cargador o las herramientas.

Reparaciones

El Cargador no contiene piezas que puedan repararse. Si es necesario reparar la unidad de cable, devuelva el cargador al centro de servicio autorizado más cercano.

GARANTÍA LIMITADA - E.U.A. Y CANADA

Se garantiza al comprador original que ninguna de las herramientas eléctricas *MILWAUKEE* (incluido el producto inalámbrico, la herramienta y las baterías; consulte las declaraciones distintas y por separado en GARANTÍA LIMITADA DEL PAQUETE DE BATERÍAS INALÁMBRICAS y de las luces de trabajo y del cargador de baterías*) presentan defectos en material ni en mano de obra. En un plazo de cinco (5) años* a partir de la fecha de compra y sujeto a ciertas excepciones, *MILWAUKEE* reparará o reemplazará cualquier parte de una herramienta eléctrica que, luego de ser examinada, *MILWAUKEE* compruebe que presenta defectos en material o mano de obra, a menos que se indique lo contrario. Se requiere la devolución de la herramienta eléctrica a un centro de mantenimiento de la fábrica *MILWAUKEE* o a un centro de reparaciones autorizado por *MILWAUKEE*, con gastos de envío prepagados y asegurados. La devolución del producto debe estar acompañada por un comprobante de compra. Esta garantía no se aplica a los daños que *MILWAUKEE* establece que fueron ocasionados por reparaciones o intentos de reparación por parte de personal no autorizado por *MILWAUKEE*, uso indebido, alteraciones, abuso, desgaste y deterioro normal, falta de mantenimiento o accidentes.

*El período de garantía de las radios para obras, del puerto de alimentación M12™, Fuente de poder M18™, y de las carretillas de trabajo industrial Trade Titan™ es de un (1) año a partir de la fecha de compra. El período de garantía de la lámpara de trabajo con diodo luminiscente y del foco mejorado con diodo luminiscente es una garantía VITALICIA limitada para el comprador original únicamente. Si durante el uso normal el foco de diodo luminiscente no funciona, la lámpara de trabajo o el foco mejorado se reemplazará sin carga.

*Esta garantía no cubre las clavadoras aéreas, las engrapadoras, el rociador de pintura inalámbrico, el paquete de baterías inalámbrico, los generadores eléctricos portátiles que funcionan con gasolina, herramientas manuales, elevadores (eléctricos, con palanca y con cadenas manuales), camisas de calefacción M12™, productos reacondicionados y productos de prueba y medición. Se encuentran disponibles garantías distintas para estos productos.

No se necesita registro de garantía para obtener la garantía correspondiente de un producto eléctrico *MILWAUKEE*. La fecha de fabricación del producto se utilizará para determinar el período de garantía si no se presenta un comprobante de compra en el momento en que se solicita el servicio de garantía.

LA ACEPTACIÓN DE LOS DERECHOS A REPARACIÓN Y REEMPLAZO EXCLUSIVAMENTE DESCRITOS EN EL PRESENTE DOCUMENTO CONSTITUYE UNA CONDICIÓN DEL CONTRATO POR LA COMPRA DE CADA PRODUCTO *MILWAUKEE*. SI NO ACEPTA ESTA CONDICIÓN, NO DEBE COMPRAR EL PRODUCTO. *MILWAUKEE* NO SERÁ EN NINGÚN CASO RESPONSABLE DE DAÑOS INCIDENTALES, ESPECIALES, CONSECUENTES O PUNITIVOS, NI DE COSTOS, HONORARIOS DE ABOGADOS, GASTOS, PÉRDIDAS O DEMORAS SUPUESTAMENTE CAUSADOS COMO CONSECUENCIA DE CUALQUIER DAÑO, FALLA O DEFECTO EN CUALQUIER PRODUCTO, INCLUIDOS, A MODO DE EJEMPLO, RECLAMOS POR PÉRDIDA DE GANANCIAS, ALGUNOS ESTADOS NO PERMITEN LA EXCLUSIÓN O LA LIMITACIÓN DE DAÑOS INCIDENTALES O CONSECUENTES. POR LO TANTO, LAS LIMITACIONES Y EXCLUSIONES ANTERIORES PUEDEN NO APLICARSE PARA USTED. ESTA GARANTÍA ES EXCLUSIVA Y SUSTITUYE A TODAS LAS OTRAS GARANTÍAS EXPRESAS, ESCRITAS U ORALES. SEGÚN LO PERMITA LA LEY, *MILWAUKEE* SE EXIME DE TODA GARANTÍA IMPLÍCITA, INCLUIDOS, A MODO DE EJEMPLO, TODA GARANTÍA IMPLÍCITA DE COMERCIABILIDAD O IDONEIDAD PARA UN USO O PROPOSITO EN PARTICULAR; EN LA MEDIDA EN QUE DICHA RENUNCIA NO ESTÉ PERMITIDA POR LA LEY, DICHAS GARANTÍAS IMPLÍCITAS ESTÁN LIMITADAS A LA DURACIÓN DE LA GARANTÍA EXPRESA APLICABLE SEGÚN SE DESCRIBE ANTERIORMENTE. ALGUNOS ESTADOS NO PERMITEN LIMITACIONES EN LA DURACIÓN DE UNA GARANTÍA IMPLÍCITA. POR LO TANTO, LA LIMITACIÓN ANTERIOR PUEDE NO APLICARSE PARA USTED. ESTA GARANTÍA LE OTORGA DERECHOS LEGALES ESPECÍFICOS Y TAMBIÉN PUEDE TENER OTROS DERECHOS QUE VARIAN DE ESTADO EN ESTADO.

Esta garantía se aplica a los productos vendidos en los EE. UU. y Canadá.

Consulte 'Service Center Search' (Búsqueda de centro de servicio' en la sección Parts & Services (Piezas y servicios) del sitio web *MILWAUKEE*, www.milwaukeetool.com o llame al 1.800.SAWDUST (1.800.729.3878) para encontrar su Centro de Servicio de la fábrica de *MILWAUKEE* más cercano.

PÓLIZA DE GARANTÍA - VALIDA SOLO PARA MÉXICO, AMÉRICA CENTRAL Y EL CARIBE

TECHTRONIC INDUSTRIES., garantiza por 5 años este producto a partir de la fecha original de compra.

Esta garantía cubre cualquier defecto que presenten las piezas, componentes y la mano de obra contenidas en este producto Para América Central y el Caribe se debe confirmar en el Centro de Servicio Autorizado el plazo de la garantía. Para hacer efectiva la Garantía deberá presentar al Centro de Servicio Autorizado la Póliza de Garantía sellada por el establecimiento en donde adquirió el producto. Si no la tienen, podrá presentar el comprobante de compra original. Usted puede llamar sin costo al teléfono 01 800 832 1949 o por correo electrónico a la dirección "servicio@tigroupna.com", para ubicar el Centro de Servicio Autorizado más cercano a su domicilio, en el cual además podrá adquirir partes, componentes, consumibles y accesorios, que usted necesite.

Procedimiento para hacer válida la garantía

Acuda al Centro de Servicio con el producto y la póliza de garantía sellada por el establecimiento donde realizó la compra. Ahí se reemplazará cualquier pieza o componente defectuoso sin cargo alguno para el usuario final. La empresa se hace responsable de los gastos de transportación razonablemente erogados que se deriven del cumplimiento de la presente garantía.

Excepciones

La garantía perderá validez en los siguientes casos:

- Cuando el producto se hubiese utilizado en condiciones distintas a las normales.
 - Cuando el producto no hubiese sido operado de acuerdo con el instructivo de uso que le acompaña.
 - Cuando el producto hubiese sido alterado o reparado por personas no autorizadas por TECHTRONIC INDUSTRIES.
- Nota: Si el cordón de alimentación es dañado, este debe ser reemplazado por el fabricante o por un Centro de Servicio Autorizado para evitar riesgo.

Modelo: _____

Fecha de Compra: _____

Sello del Distribuidor: _____

CENTRO DE SERVICIO Y ATENCIÓN A CLIENTES
Rafael Buelna No.1. Col. Tezozomoc Mexico, D.F.
Tel. 01 800 832 1949

IMPORTADO Y COMERCIALIZADO POR:
TECHTRONIC INDUSTRIES MEXICO, .S.A. DE C.V.
Av. Santa Fe 481 piso 6, Col. Curz Manca.
CP 05349, Cuajimalpa, D.F.

GARANTÍA LIMITADA - E.U.A. Y CANADA

Se garantiza al comprador original que ninguna de las baterías *MILWAUKEE* (vendidas con productos inalámbricos o como baterías de reemplazo) presentan defectos en material ni mano de obra. Dentro del período de garantía establecido, a partir de la fecha de compra y sujeto a ciertas excepciones, *MILWAUKEE* reparará o reemplazará la batería que, luego de ser examinada, *MILWAUKEE* compruebe que presenta defectos en material o mano de obra. Se requiere la devolución de la batería a un centro de mantenimiento de la fábrica *MILWAUKEE* o a un centro de reparaciones autorizado por *MILWAUKEE*, con gastos de envío prepagados y asegurada. La devolución del producto debe estar acompañada por un comprobante de compra. Esta garantía no se aplica a los daños que *MILWAUKEE* establece que fueron ocasionados por reparaciones o intentos de reparación por parte de personal no autorizado por *MILWAUKEE*, uso indebido, alteraciones, abuso, desgaste y deterioro normal, falta de mantenimiento o accidentes.

Descripción de la batería	Química	Período de la garantía (a partir de la fecha de compra)
BATERÍA M12™ XC REDLITHIUM™, BATERÍA M12™ XC REDLITHIUM™ 4.0, BATERÍA M18™ XC REDLITHIUM™, BATERÍA M18™ XC REDLITHIUM™ 4.0, BATERÍA XC DE IONES DE LITIO M28™, BATERÍA M28™ XC REDLITHIUM™	BATERÍA DE IONES DE LITIO	Tres (3) años
BATERÍA DE IONES DE LITIO V4, BATERÍA COMPACTA DE IONES DE LITIO M12™, BATERÍA COMPACTA M12™ REDLITHIUM™, BATERÍA COMPACTA M12™ REDLITHIUM™ 2.0, BATERÍA XC DE IONES DE LITIO M12™, BATERÍA COMPACTA DE IONES DE LITIO M18™, BATERÍA COMPACTA M18™ REDLITHIUM™, BATERÍA COMPACTA M18™ REDLITHIUM™ 2.0	BATERÍA DE IONES DE LITIO	Dos (2) años
BATERÍA DE IONES DE LITIO M18™, BATERÍA DE IONES DE LITIO V18™ CON TECNOLOGÍA V™ Prefijo "A95" del número de serie, BATERÍA DE IONES DE LITIO V28™ CON TECNOLOGÍA V™	IONES DE LITIO	Dos (2) años: más tres años de prorrateo (prorrateado)*
BATERÍA DE NIQUEL-CADMIO, NIQUEL-CADMIO DE SUPER-TOUGH, BATERÍA DE NIQUEL-CADMIO DE POWER-PLUS, NIQUEL-HIDRURO METÁLICO, BATERÍA DE IONES DE LITIO V18™ CON TECNOLOGÍA V™ Prefijo "E95" del número de serie	Ni-Cd/níquel-cadmio, Ni-MH/níquel-hidruro metálico, IONES DE LITIO	Un (1) año

El período de garantía para todas las baterías de níquel-cadmio y de níquel-hidruro metálico es de un (1) año a partir de la fecha de compra. El período de garantía para BATERÍA DE IONES DE LITIO V4, BATERÍA COMPACTA DE IONES DE LITIO M12™, BATERÍA COMPACTA M12™ REDLITHIUM™, BATERÍA XC DE IONES DE LITIO M12™, BATERÍA COMPACTA DE IONES DE LITIO M18™, BATERÍA COMPACTA M18™ 2.0 REDLITHIUM™ y BATERÍA COMPACTA M18™ REDLITHIUM™ es de dos (2) años a partir de la fecha de compra. El período de garantía para BATERÍA M12™ XC REDLITHIUM™, BATERÍA M18™ XC REDLITHIUM™, BATERÍA M18™ XC 4.0 REDLITHIUM™, BATERÍA XC DE IONES DE LITIO M28™ y BATERÍA M28™ XC REDLITHIUM™ es de (3) años a partir de la fecha de compra. *Todas las baterías de IONES DE LITIO con tecnología V™ de *MILWAUKEE* V28™, las baterías de IONES DE LITIO con tecnología V™ de *MILWAUKEE* V18™ (Prefijo "A95" del número de serie) y las BATERÍAS DE IONES DE LITIO M18™ cuentan con una garantía de cinco (5) años o de 2000 cargas, lo que ocurra primero a partir de la fecha de compra. Las primeras 1 000 cargas o 2 años de garantía, lo que ocurra primero, están cubiertos con el reemplazo gratuito de la batería defectuosa. Esto significa que tras las primeras 1 000 cargas o los primeros dos (2) años a partir de la fecha de compra o de la primera carga, se ofrecerá una batería de repuestos al cliente por cualquier batería defectuosa sin cargo. A partir de ese momento, las cargas restantes hasta llegar a las 2 000 o el tiempo restante del período de cinco (5) años desde el momento de la compra, lo que ocurra primero, estarán cubiertos por un prorrateo. Esto significa que cada consumidor obtiene una garantía prorrateada de 1 000 cargas adicionales o tres (3) años por las baterías de IONES DE LITIO con tecnología V™ de *MILWAUKEE* V28™, las baterías de IONES DE LITIO con tecnología V™ de *MILWAUKEE* V18™ (Prefijo "A95" del número de serie) y las baterías XC de IONES DE LITIO DE ALTA CAPACIDAD M18™ según el uso. El período de garantía para todas las baterías de IONES DE LITIO V18™ con tecnología V™ Prefijo "E95" del número de serie es de un (1) año.

No se necesita registro de garantía para obtener la garantía correspondiente de un producto eléctrico *MILWAUKEE*. La fecha de fabricación del producto se utilizará para determinar el período de garantía si no se presenta un comprobante de compra en el momento en que se solicita el servicio de garantía.

LA ACEPTACIÓN DE LOS DERECHOS A REPARACIÓN Y REEMPLAZO EXCLUSIVAMENTE DESCRITOS EN EL PRESENTE DOCUMENTO CONSTITUYE UNA CONDICIÓN DEL CONTRATO POR LA COMPRA DE CADA PRODUCTO *MILWAUKEE*. SI NO ACEPTA ESTA CONDICIÓN, NO DEBE COMPRAR EL PRODUCTO. *MILWAUKEE* NO SERÁ EN NINGÚN CASO RESPONSABLE DE DAÑOS INCIDENTALES, ESPECIALES, CONSECUENTES O PUNITIVOS, NI DE COSTOS, HONORARIOS DE ABOGADOS, GASTOS, PÉRDIDAS O DEMORAS SUPUESTAMENTE CAUSADOS COMO CONSECUENCIA DE CUALQUIER DAÑO, FALLA O DEFECTO EN CUALQUIER PRODUCTO, INCLUIDOS, A MODO DE EJEMPLO, RECLAMOS POR PÉRDIDA DE GANANCIAS, ALGUNOS ESTADOS NO PERMITEN LA EXCLUSIÓN O LA LIMITACIÓN DE DAÑOS INCIDENTALES O CONSECUENTES. POR LO TANTO, LAS LIMITACIONES Y EXCLUSIONES ANTERIORES PUEDEN NO APLICARSE PARA USTED. ESTA GARANTÍA ES EXCLUSIVA Y SUSTITUYE A TODAS LAS OTRAS GARANTÍAS EXPRESAS, ESCRITAS U ORALES. SEGÚN LO PERMITA LA LEY, *MILWAUKEE* SE EXIME DE TODA GARANTÍA IMPLÍCITA, INCLUIDOS, A MODO DE EJEMPLO, TODA GARANTÍA IMPLÍCITA DE COMERCIABILIDAD O IDONEIDAD PARA UN USO O PROPOSITO EN PARTICULAR; EN LA MEDIDA EN QUE DICHA RENUNCIA NO ESTÉ PERMITIDA POR LA LEY, DICHAS GARANTÍAS IMPLÍCITAS ESTÁN LIMITADAS A LA DURACIÓN DE LA GARANTÍA EXPRESA APLICABLE SEGÚN SE DESCRIBE ANTERIORMENTE. ALGUNOS ESTADOS NO PERMITEN LIMITACIONES EN LA DURACIÓN DE UNA GARANTÍA IMPLÍCITA. POR LO TANTO, LA LIMITACIÓN ANTERIOR PUEDE NO APLICARSE PARA USTED. ESTA GARANTÍA LE OTORGA DERECHOS LEGALES ESPECÍFICOS Y TAMBIÉN PUEDE TENER OTROS DERECHOS QUE VARIAN DE ESTADO EN ESTADO.

Esta garantía se aplica a los productos vendidos en los EE. UU. y Canadá.

Consulte 'Service Center Search' (Búsqueda de centro de servicio' en la sección Parts & Services (Piezas y servicios) del sitio web *MILWAUKEE*, www.milwaukeetool.com o llame al 1.800.SAWDUST (1.800.729.3878) para encontrar su Centro de Servicio de la fábrica de *MILWAUKEE* más cercano.

UNITED STATES MILWAUKEE Service

MILWAUKEE prides itself in producing a premium quality product that is NOTHING BUT HEAVY DUTY®. Your satisfaction with our products is very important to us! If you encounter any problems with the operation of this tool, or you would like to locate the factory Service/Sales Support Branch or authorized service station nearest you, please call...

Additionally, we have a nationwide network of authorized Distributors ready to assist you with your tool and accessory needs. Check your "Yellow Pages" phone directory under "Tools-Electric" for the names & addresses of those nearest you or see the 'Where To Buy' section of our website.

1-800-SAWDUST

(1.800.729.3878)

Monday-Friday
7:00 AM - 6:30 PM
Central Time

or visit our website at

www.milwaukeetool.com

For service information, use the 'Service Center Search' icon found in the 'Parts & Service' section.

Contact our Corporate After Sales Service Technical Support about ...

- Technical Questions
- Service/Repair Questions
- Warranty

call: 1-800-SAWDUST
fax: 1.800.638.9582

email: metproductsupport@milwaukeetool.com

Register your tool online at www.milwaukeetool.com and...

- receive important notifications regarding your purchase
- ensure that your tool is protected under the warranty
- become a HEAVY DUTY club member

CANADA - Service MILWAUKEE

MILWAUKEE prides itself in producing a premium quality product that is NOTHING BUT HEAVY DUTY®. Your satisfaction with our products is very important to us!

If you encounter any problems with the operation of this tool, or you would like to locate the factory Service/Sales Support Branch or authorized service station nearest you, please call...

1.800.268.4015

Monday – Friday 7:00 – 4:30 CST
fax: 866.285.9049

Milwaukee Electric Tool (Canada) Ltd

140 Fernstaff Court, Unit 4 18129 111 Avenue NW
Vaughan, ON L4K 3L8 Edmonton, AB T5S 2P2

Additionally, we have a nationwide network of authorized Distributors ready to assist you with your tool and accessory needs. Call 1.800.268.4015 to find the names and addresses of the closest retailers or consult "Where to buy" on our Web site www.milwaukeetool.com

MILWAUKEE est fier de proposer un produit de première qualité NOTHING BUT HEAVY DUTY®. Votre satisfaction est ce qui compte le plus!

En cas de problèmes d'utilisation de l'outil ou pour localiser le centre de service/ventes ou le centre d'entretien le plus proche, appelez le...

1.800.268.4015

Lundi – Vendredi 7:00 – 4:30 CST
fax: 866.285.9049

Milwaukee Electric Tool (Canada) Ltd

140 Fernstaff Court, Unit 4 18129 111 Avenue NW
Vaughan, ON L4K 3L8 Edmonton, AB T5S 2P2

Notre réseau national de distributeurs agréés se tient à votre disposition pour fournir l'aide technique, l'outillage et les accessoires nécessaires. Composez le 1.800.268.4015 pour obtenir les noms et adresses des revendeurs les plus proches ou bien consultez la section «Où acheter» sur notre site web à l'adresse www.milwaukeetool.com

MEXICO - Soporte de Servicio MILWAUKEE

CENTRO DE ATENCIÓN A CLIENTES

Rafael Buelna No. 1, Col Tezozomoc,
Delegación Azcapotzalco, México, D.F.
Telefono sin costo 01 800 832 1949
e-mail: servicio@ttigroupna.com

Adicionalmente, tenemos una red nacional de distribuidores autorizados listos para ayudarle con su herramienta y sus accesorios. Por favor, llame al 01 800 832 1949 para obtener los nombres y direcciones de los más cercanos a usted, o consulte la sección 'Where to buy' (Dónde comprar) de nuestro sitio web en

www.ttigroupmexico.com

Registre su herramienta en línea, en www.ttigroupmexico.com y...

- reciba importantes avisos sobre su compra
- asegúrese de que su herramienta esté protegida por la garantía
- conviértase en integrante de Heavy Duty

MILWAUKEE ELECTRIC TOOL CORPORATION

13135 West Lisbon Road • Brookfield, Wisconsin, U.S.A. 53005

58-14-1801d8

09/12

Printed in China
961068014-02()