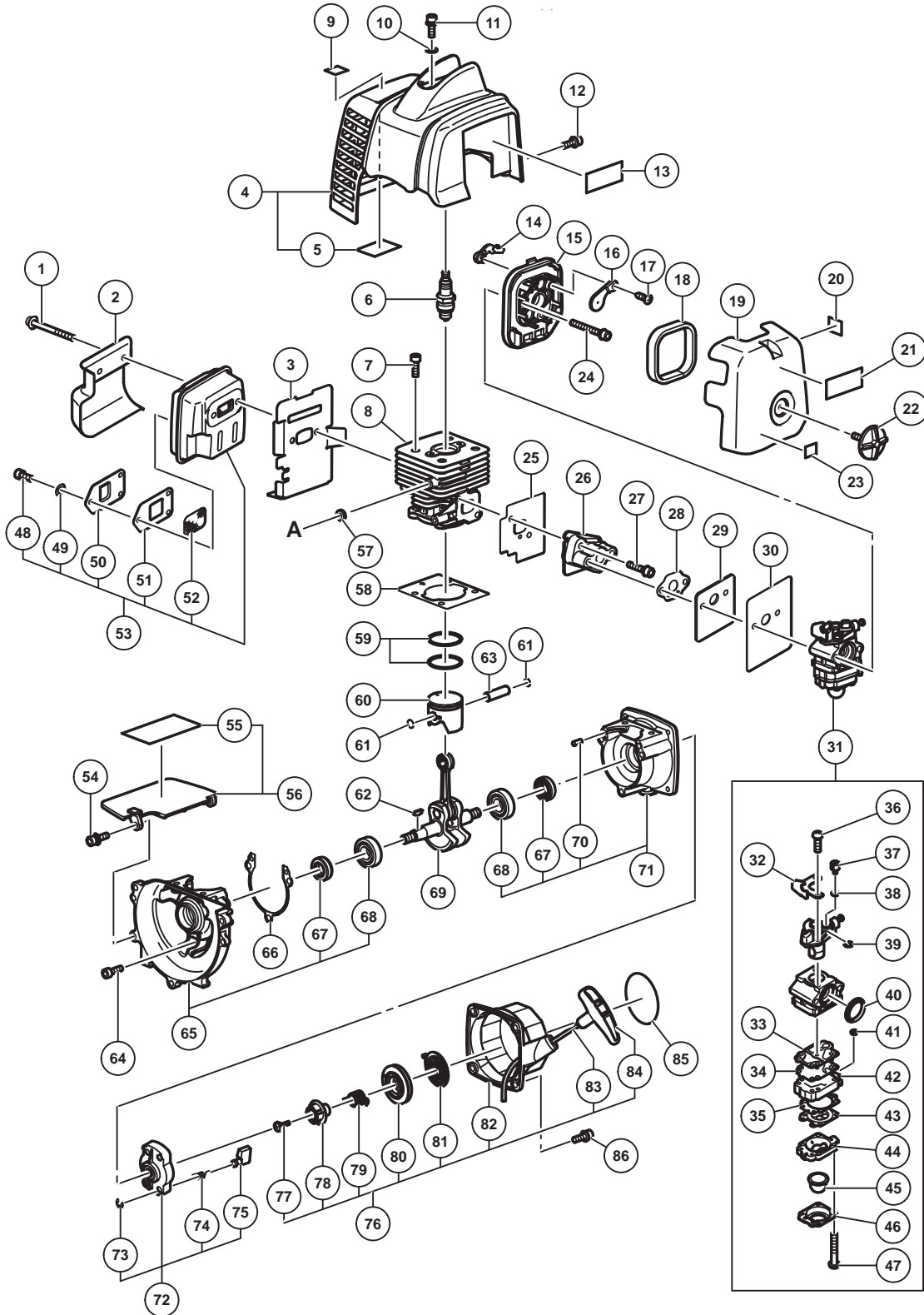
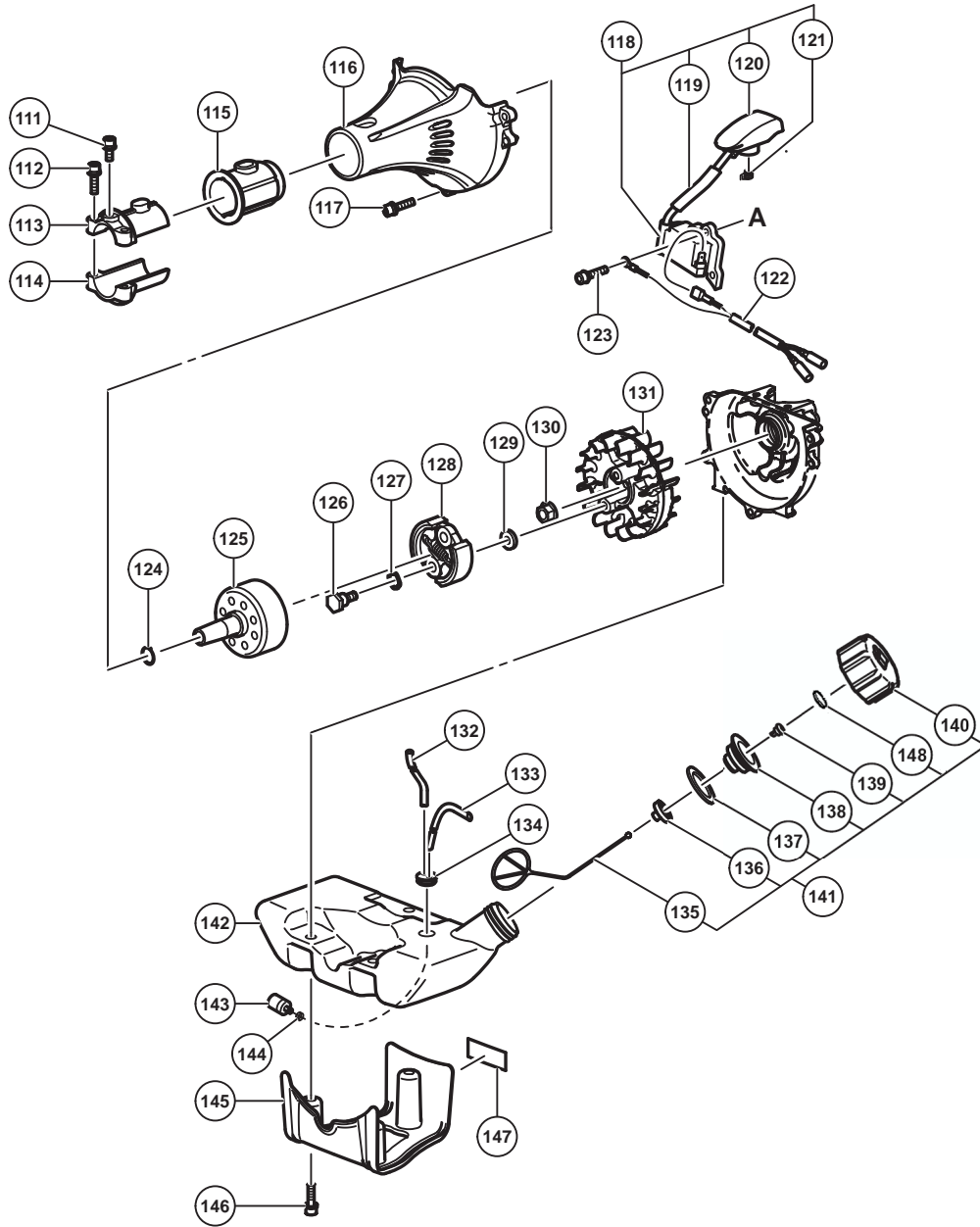
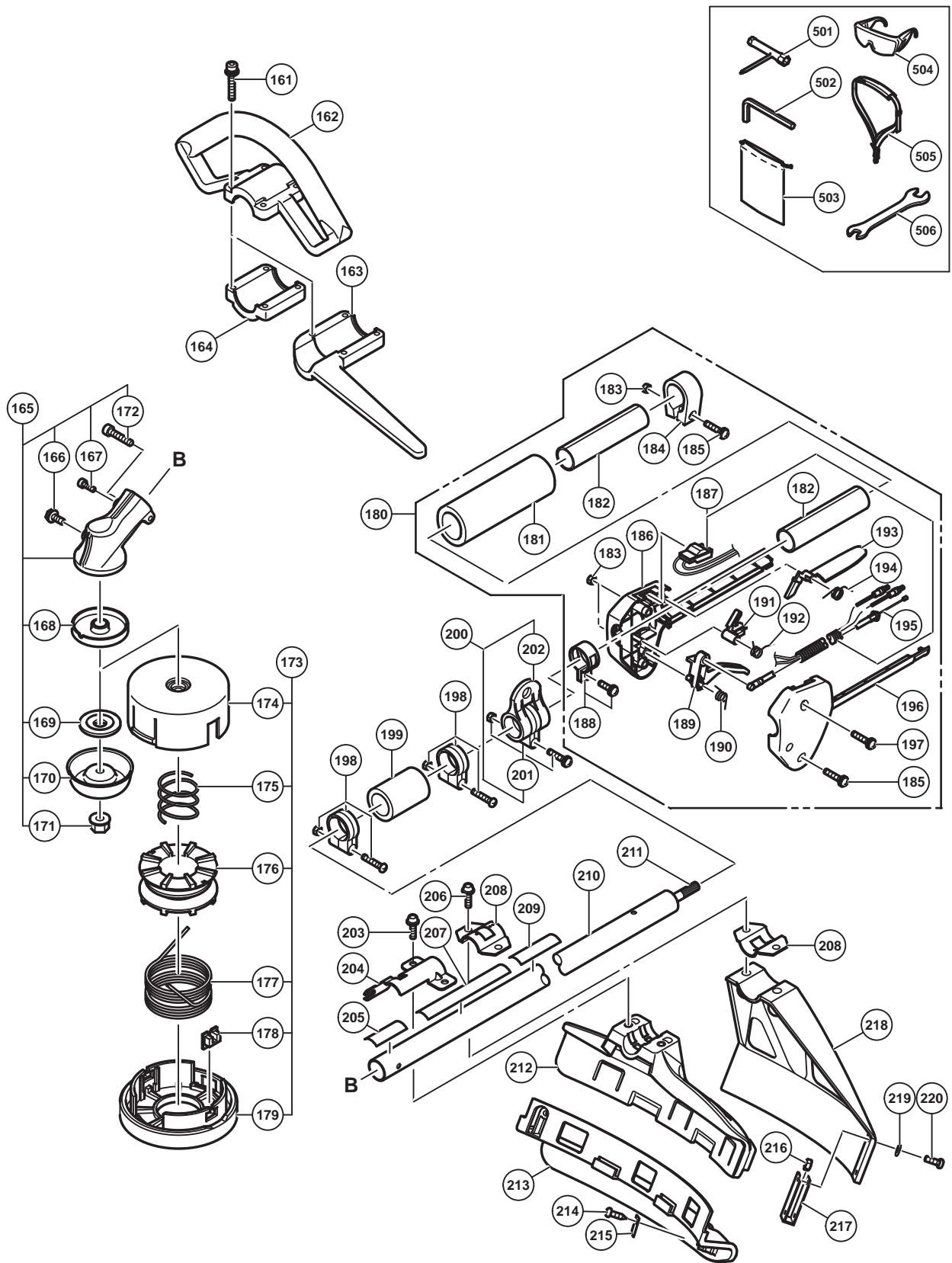


ENGINE TOOL PARTS LIST

GRASS TRIMMER / BRUSH CUTTER 2016-4-29
Model TCG 23ECP (TANAKA BRAND) (E1)







PARTS

TCG 23ECP

ITEM NO.	CODE NO.	DESCRIPTION	NO. USED	REMARKS	
1	6600706	HEX.SOCKET BOLT M5 X 55	2		
2	6600707	HEAT SHIELD	1		
3	6600710	MUFFLER PACKING	1		
4	6601290	TOP COVER ASS'Y	1	INCLUD.5	
5	6600714	ALUMINUM TAPE	1		
6	6600713	IGNITION PLUG (AC6AR)	1		
7	6600712	HEX. SOCKET HD. BOLT M5 X 16	4		
8	6600711	CYLINDER	1		
9	6698864	CAUTION LABEL (HOT)	1		
10	6600715	SPACER	1		
11	6600716	HEX. SOCKET HD. BOLT (W/WASHERS) M5 X 18	1		
12	6600720	HEX. SOCKET HD. BOLT (W/WASHERS) M5 X 16	2		
13		CAUTION MARK	1		
14	6600721	CHOKE LEVER	1		
15	6600722	CLEANER BASE	1		
16	6600723	CHOKE PLATE	1		
17	6600724	TAPPING SCREW ST 4.2 X 9.5	1		
18	6600725	AIR FILTER ELEMENT	1		
19	6600726	CLEANER COVER	1		
20	6699000	PRIMER LABEL	1		
*	21	6601297	START LABEL	1	FOR USA,CAN
	22	6600727	CLEANER KNOB	1	
*	23	6600327	MARK PLATE (T)	1	FOR EUROPE
	24	6600728	HEX. SOCKET HD. BOLT (W/WASHERS) M5 X 60	2	
	25	6600729	INTAKE PACKING	1	
	26	6600730	CARBURETOR INSULATOR	1	
	27	6600731	HEX. SOCKET HD. BOLT (W/WASHERS) M5 X 25	2	
	28	6600732	CARBURETOR PACKING (A)	1	
	29	6600733	HEAT INSULATION PLATE	1	
	30	6600734	CARBURETOR PACKING (B)	1	
	31	6600735	CARBURETOR ASS'Y (WYK-483)	1	INCLUD.32-47
	32	6601292	CABLE ADJUST STAY	1	
	33	6684692	PUMP GASKET	1	
	34	6684693	PUMP DIAPHRAGM	1	
	35	6684691	DIAPHRAGM GASKET	1	
	36	6684870	THROTTLE SET SCREW	2	
	37	6601293	SWIVEL	1	
	38	6684874	THRUST WASHER	1	
	39	6684696	STOP RING	1	
	40	6684875	CLEANER PACKING	1	
	41	6684700	INLET SCREEN	1	
	42	6601294	PUMP BODY	1	
	43	6684690	METERING DIAPHRAGM	1	
	44	6684687	PRIMING PUMP COMP.	1	
	45	6684689	PRIMING BODY	1	
	46	6684688	DIAPHRAGM COVER	1	
	47	6684699	SET SCREW	4	
	48	6600755	HEX. SOCKET HD. BOLT M4 X 10	3	
	49	6600756	BOLT WASHER D4	3	
	50	6600757	EXHAUST PIPE	1	

PARTS

TCG 23ECP

ITEM NO.	CODE NO.	DESCRIPTION	NO. USED	REMARKS
51	6600758	EXHAUST PACKING	1	
52	6600759	SPARK ARRESTER	1	
53	6600708	MUFFLER ASS'Y	1	INCLUD.48-52
54	6600742	HEX. SOCKET HD. BOLT (W/WASHERS) M5 X 14	2	
55	6600744	ALUMINUM TAPE	1	
56	6601291	INSULATION PLATE ASS'Y	1	INCLUD.55
57	6600660	IGNITION COIL SPACER	2	
58	6600738	CYLINDER PACKING	1	
59	6600739	PISTON RING	2	
60	6600740	PISTON	1	
61	6600736	CIRCLIP	2	
62	6600741	WOODRUFF KEY	1	
63	6600737	PISTON PIN	1	
64	6600712	HEX. SOCKET HD. BOLT M5 X 16	3	
65	6600745	CRANK CASE (A) ASS'Y	1	INCLUD.67,68
66	6600746	CRANK CASE PACKING	1	
67	6600747	OIL SEAL	2	
68	6600594	BALL BEARING	2	
69	6600748	CRANK SHAFT	1	
70	6600749	KNOCK PIN	2	
71	6600750	CRANK CASE (B) ASS'Y	1	INCLUD.67,68,70
72	6600752	PULLEY ASS'Y	1	INCLUD.73-75
73	6601321	RETAINING RING	2	
74	6601322	STARTER PAWL SPRING	2	
75	6601323	STARTER PAWL	2	
76	6600753	RECOIL STARTER ASS'Y (S)	1	INCLUD.77-84
77	6601307	SET SCREW	1	
78	6601309	CAM (S)	1	
79	6601311	DAMPER SPRING (S)	1	
80	6601313	REEL (S)	1	
81	6601315	SPIRAL SPRING (S)	1	
82	6601317	STARTER CASE (S)	1	
83	6601319	STATER ROPE (S)	1	
84	6601320	STARTER HANDLE	1	
85		NAME PLATE	1	
86	6600720	HEX. SOCKET HD. BOLT (W/WASHERS) M5 X 16	2	
111	6600760	HEX. SOCKET HD. BOLT (W/WASHERS) M5 X 12	1	
112	6600731	HEX. SOCKET HD. BOLT (W/WASHERS) M5 X 25	2	
113	6600761	HOLDER (A)	1	
114	6600762	HOLDER (B)	1	
115	6600763	ANTI VIBRATION RUBBER	1	
116	6600764	FAN CASE	1	
117	6600716	HEX. SOCKET HD. BOLT (W/WASHERS) M5 X 18	3	
118	6600765	IGNITION COIL ASS'Y	1	INCLUD.119-121
119	6600766	CORD INSULATION TUBE	1	
120	6600767	PLUG CAP	1	
121	6600768	PLUG CAP METAL	1	
122	6601296	CORD	1	
123	6600775	HEX. SOCKET HD. BOLT (W/WASHERS) M4 X 20	2	
124	6600770	RETAINING RING	1	

PARTS

TCG 23ECP

ITEM NO.	CODE NO.	DESCRIPTION	NO. USED	REMARKS		
183	6600825	NUT M5	3			
184	6600853	HANDLE CLAMP	1			
185	6600839	SCREW (W/WASHERS) M5 X 25	2			
186	6600850	HANDLE (B)	1			
187	6600851	STOP SWITCH COMP.	1			
188	6600843	HANDLE CLAMP	1			
189	6600841	THROTTLE LEVER	1			
190	6600842	SPRING (C)	1			
191	6600849	CONNECTION LEVER	1			
192	6600847	SPRING (D)	1			
193	6600846	TRIGGER LOCKOUT	1			
194	6600848	SPRING (E)	1			
195	6600840	THROTTLE WIRE COMP.	1			
196	6600845	HANDLE (A)	1			
197	6600844	SCREW (W/WASHERS) M5 X 30	1			
*	198	6601330	LIMIT RING	2	FOR EUROPE	
	199	6600821	LOOP HANDLE RUBBER	1		
*	200	6600818	HANGER ASS'Y	1	INCLUD.201,202 FOR EUROPE	
*	201	6600838	HANGER CLAMP	1	FOR EUROPE	
*	202	6600837	HANGER	1	FOR EUROPE	
*	203	6600813	HEX. HOLE BUTTON BOLT M6 X 25	2	FOR EUROPE	
*	204	6600812	COVER BRACKET	1	FOR EUROPE	
*	205	6685061	LEVEL MARK	1	FOR USA,CAN	
*	206	6600815	HEX. HOLE BUTTON BOLT M6 X 20	2	FOR USA,CAN	
*	207	6600449	CAUTION MARK	1		
*	207	6600448	CAUTION MARK (USA)	1	FOR USA,CAN	
*	208	6600814	COVER BRACKET (US)	2	FOR USA,CAN	
	209	6601305	LEVEL MARK (A)	1		
	210	6600816	MAIN PIPE	1		
	211	6600817	DRIVE SHAFT	1		
*	212	6601299	GUARD	1	FOR EUROPE	
*	213	6601333	COVER GUARD (EU)	1	FOR EUROPE	
*	214	6601301	TAPPING SCREW D4 X 12	1	FOR EUROPE	
*	215	6601302	KNIFE	1	FOR EUROPE	
*	216	949554	NUT M4 (10 PCS.)	2	FOR USA,CAN	
*	217	6696584	KNIFE	1	FOR USA,CAN	
*	218	6696981	GUARD	1	FOR USA,CAN	
*	219	323210	BOLT WASHER M4 (BLACK)	2	FOR USA,CAN	
*	220	6685068	MACHINE SCREW (W/SP. WASHER) M4 X 12	2	FOR USA,CAN	

